

Note: During framing prior to installation of center drain kit, allow a minimum of 10" between stainless end panels. (See Figure 1)

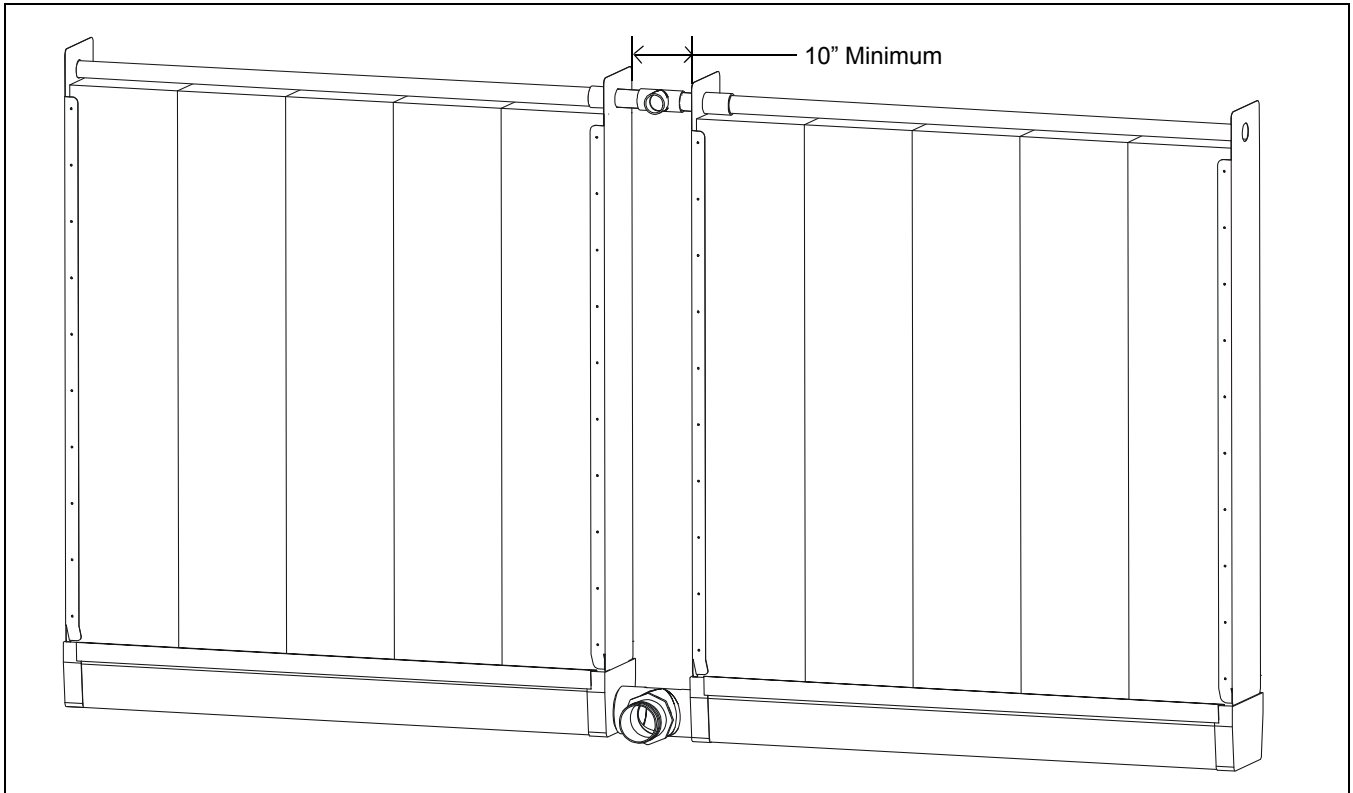


Figure 1

Step 1: Locate center of evaporative cooling system.

Step 2: Take (2) evap end cap assemblies (60-0423, already glued by manufacturer) and place on ends of the troughs to be located at the center of the evap system. (See Fig. 1A.)

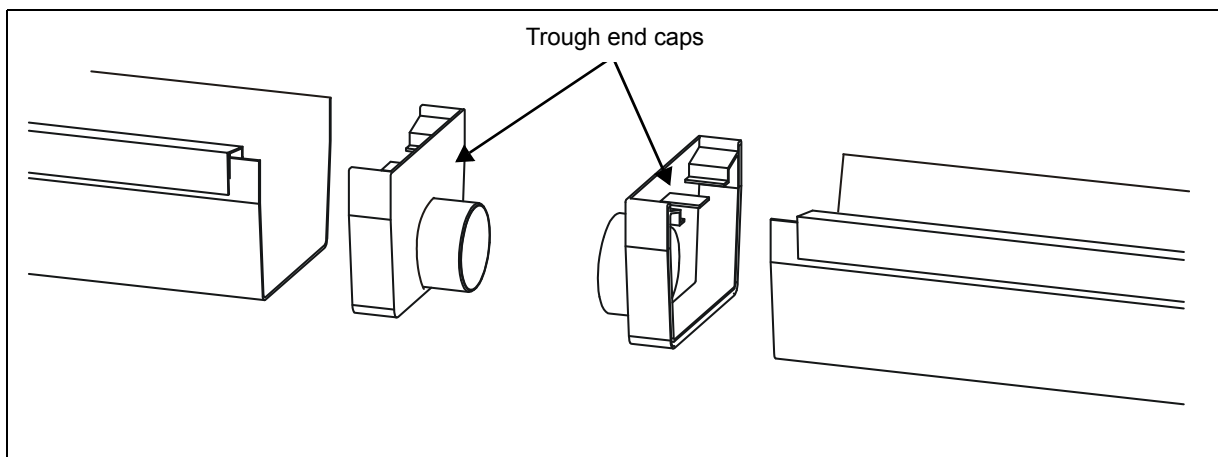


Figure 1A



Instruction Sheet for Center Drain Kit

Step 3: With both evap end cap assemblies in place take 4" SCH 40 Tee (60-0421) and glue in place, making sure the Tee is seated completely onto both evap end cap assemblies.

Note: When gluing the Tee to evap end cap assemblies make sure that the Tee outlet is facing outward to accept the discharge hose going into the reservoir tank. (See Fig. 1B.)

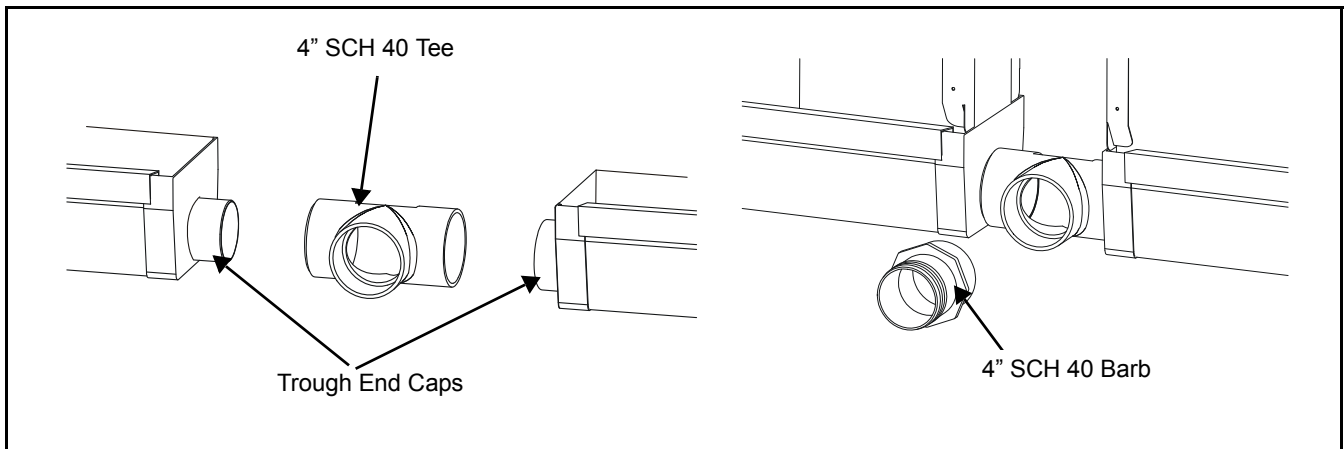


Figure 1B

Step 4: With the Tee in place, take 4" SCH 40 Barb (60-0422) and glue barb to Tee making sure that the Barb is seated completely into the SCH 40 Tee. (See Fig. 1B).

Step 5: Take stainless steel end panels included in the kit and mount to stud/wall on center ends of evap system. The panel should be flush with the back cover and rest on the trough end cap. Place the "tongue" of the end panel inside the trough to catch any water running down the inside of the panel. Knock out the hole in each of the end panels to allow the spray bar through.

Step 6: Take 1-1/2" SCH 40 Couplings (60-0081) and place on inside of evap system connecting to spray bar, DO NOT GLUE SPRAY BAR. Be sure that all holes in the spray bar are facing up to insure proper distribution of water onto the pads. (See Fig. 1C).

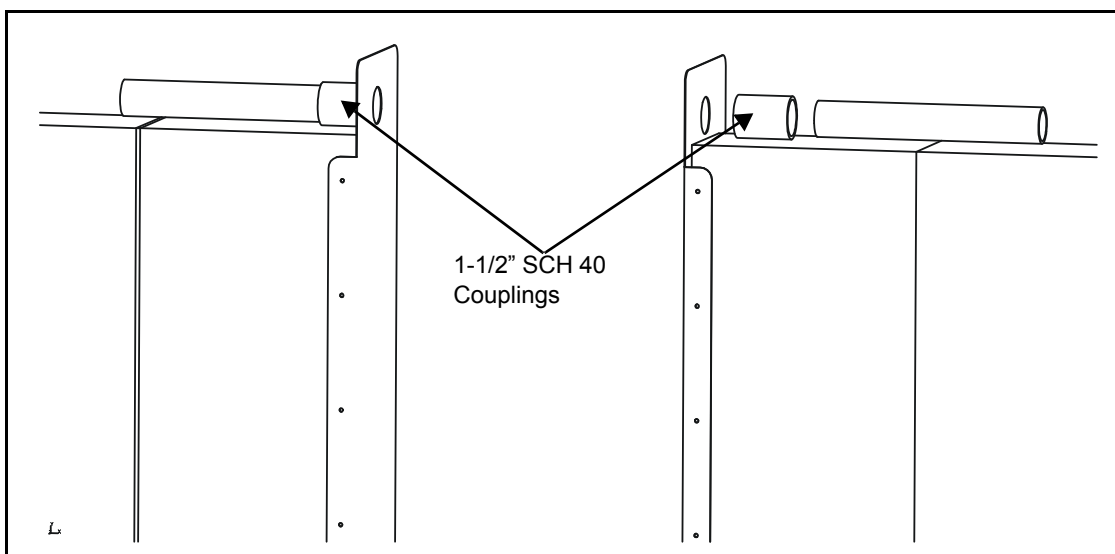


Figure 1C

Instruction Sheet for Center Drain Kit

Step 7: Figuring the size of the 1-1/2" SCH 40 Tee (60-0019) provided, take the 1-1/2" x 1' SCH 40 pipe (60-0430) and cut to appropriate length. From the 1' piece of the 1-1/2" SCH 40 provided you will end up with two pieces of pipe to go between the 1-1/2" SCH 40 Tee and 1-1/2" SCH 40 coupling.

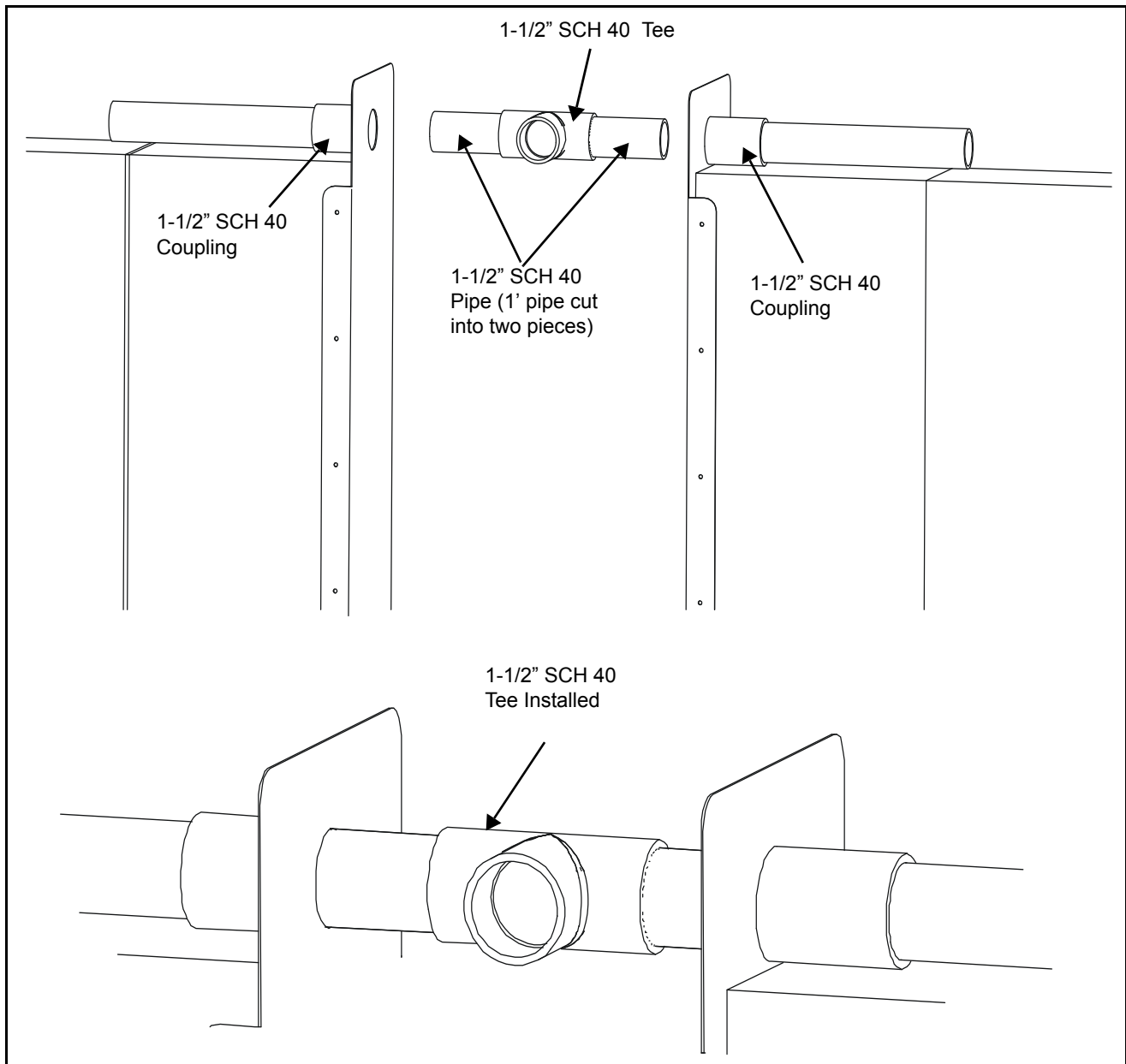


Figure 1D

Note: Once the 1-1/2" SCH 40 pipe is cut, glue the pipe to the 1-1/2" SCH 40 Tee (60-0019). (See Fig. 1D).

Step 8: With the Tee glued to both pieces of pipe, glue pipe ends to the 1-1/2" couplings (60-0081).
Note: When gluing pipe to couplings make sure that the Tee inlet is facing outward so that it can accept the 1-1/2" SCH 40 Pipe connecting to the reservoir tank. Only glue the 1-1/2" SCH 40 Pipe that was cut and included in this kit. DO NOT GLUE SPRAY BAR. (See Fig. 1D).

Step 9: Take trough end cap (60-0268) supplied with kit and place on end of evap system.

Instruction Sheet for Center Drain Kit

Step 10: Place reservoir tank appropriately and connect discharge hose from tank to 4" SCH 40 Barb (60-0422) with hose clamps. (See Fig. 1E).

Step 11: Lastly, connect vertical plumbing coming from reservoir tank and glue to 1-1/2" SCH 40 Tee (60-0019) going into spray bar. (See Fig. 1E).

Note: When connecting vertical plumbing, refer to original *Recirculating Cooling System Operation and Installation manual*.

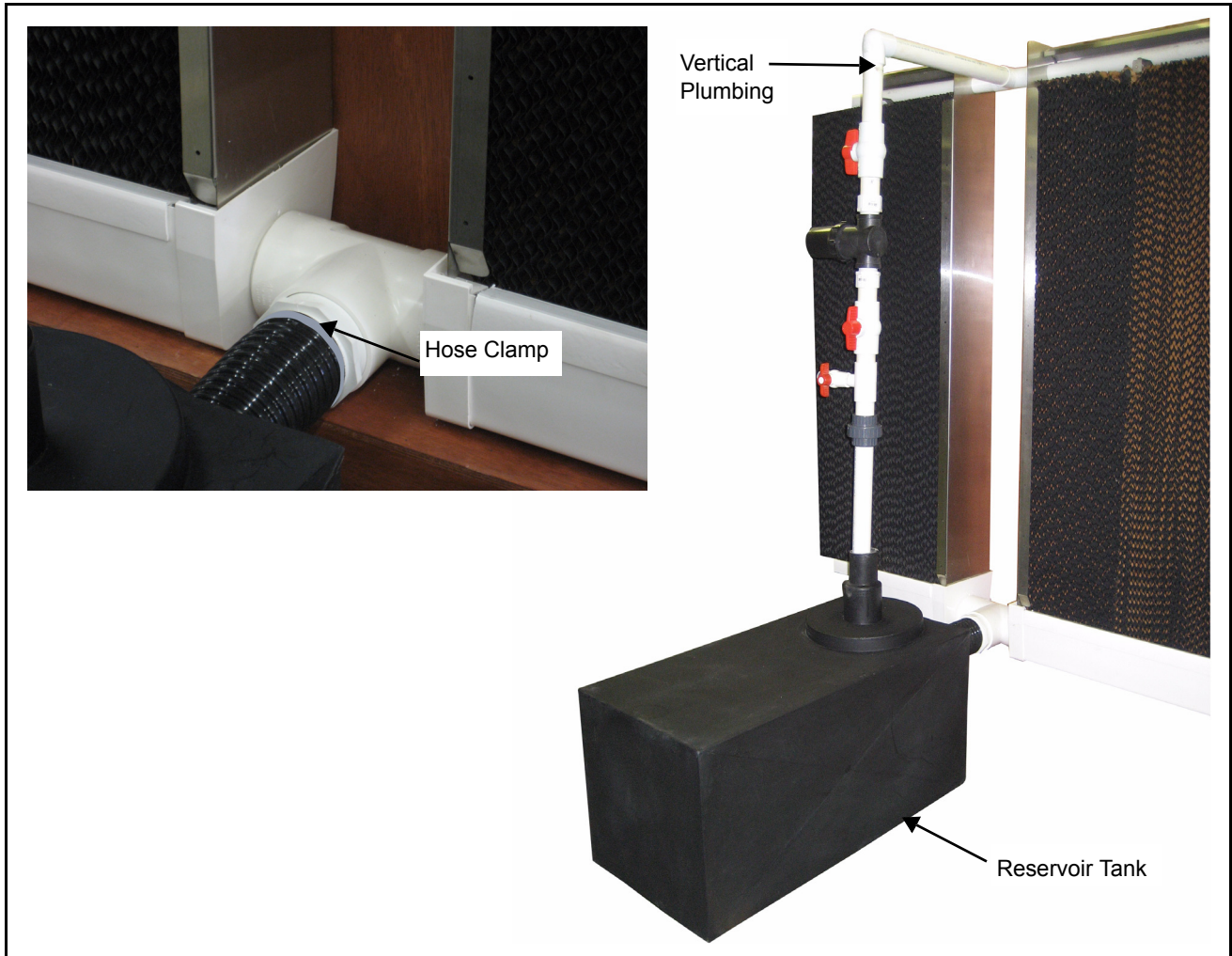


Figure 1E