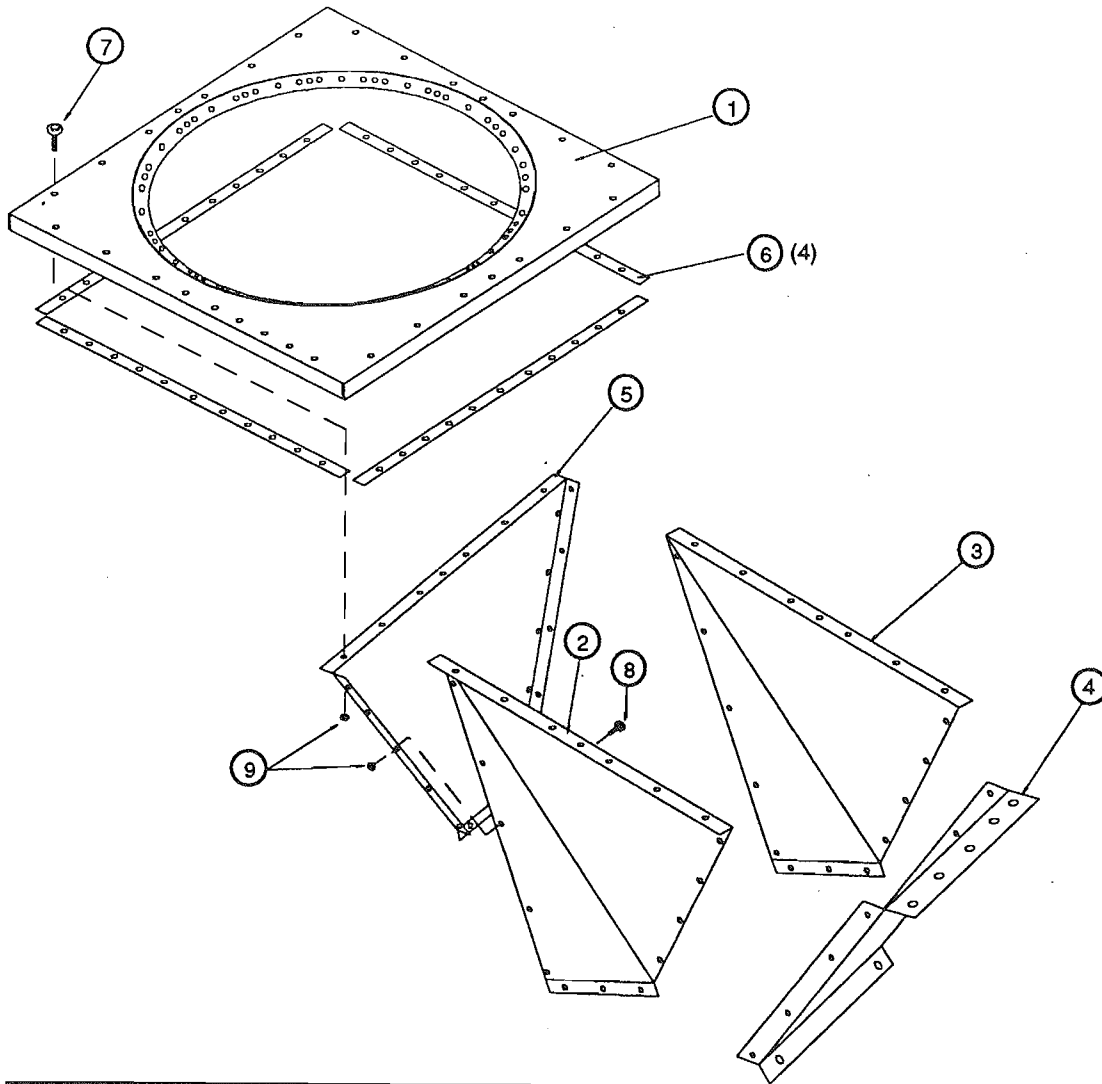




SINGLE 30 DEG. BOOT ASSEMBLY



KEY	PART #	DESCRIPTION	QTY.
2	FLX-2903	30 DEG. BOOT - LEFT SIDE PANEL	1
3	FLX-2904	30 DEG. BOOT - RIGHT SIDE PANEL	1
4	FLX-2905	30 DEG. BOOT - FRONT PANEL	1
5	FLX-2906	30 DEG. BOOT - BACK SIDE PANEL	1
6	FLX-2894	SUPPORT STRAP FOR 22" BOOT	4
7	S-275	5/16 - 18 x 3/4" BIN BOLT WWASHER	28
8	S-4303	5/16 x 3/4" TRUSS HEAD BOLT WWASHER	28
9	S-396	5/16 - 18 HEX HEAD NUT	56
NS	S-4458	CAULKING	24' Roll

Special Notes:

1. Use Truss Head bolts to assemble boots. Put all heads to inside.
2. Use Bin bolts to assemble boots to plate.
3. Caulk ALL joints.
4. Assemble side panels inside of front and back panels.