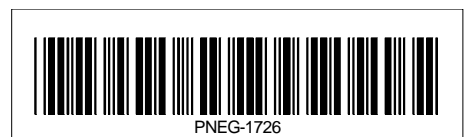


Low Profile Pathogen Barrier Filter Ducts

Installation Manual

PNEG-1726

Date: 12-02-09



Contents

Chapter 1 Filter Duct Installation Instructions 4

 Filter Duct Frame-out 4

 Filter Duct Assembly 5

 Filter Duct Installation 7

 Filter Installation 8

 Filter Plug Installation 9

Chapter 2 Parts List 10

 Filter Duct with Two (2) Filters (30-0802) 10

 Filter Duct with Three (3) Filters (30-0803) 12

 Filter Duct with Four (4) Filters (30-0804) 14

 Filter Duct with Six (6) Filters (30-0806) 16

Chapter 3 Warranty 19

1. Filter Duct Installation Instructions

Filter Duct Frame-out

1. Remove the existing insulation barrier.
2. Add a 46-1/2" stringer to either side of the existing inlet frame-out. The inside dimensions of the filter duct frame-out should be 27-1/2" x 43-1/2".
3. Add 2" x 4" filler boards against the inlet side of both lower truss cords, flush to the top (attic) side.

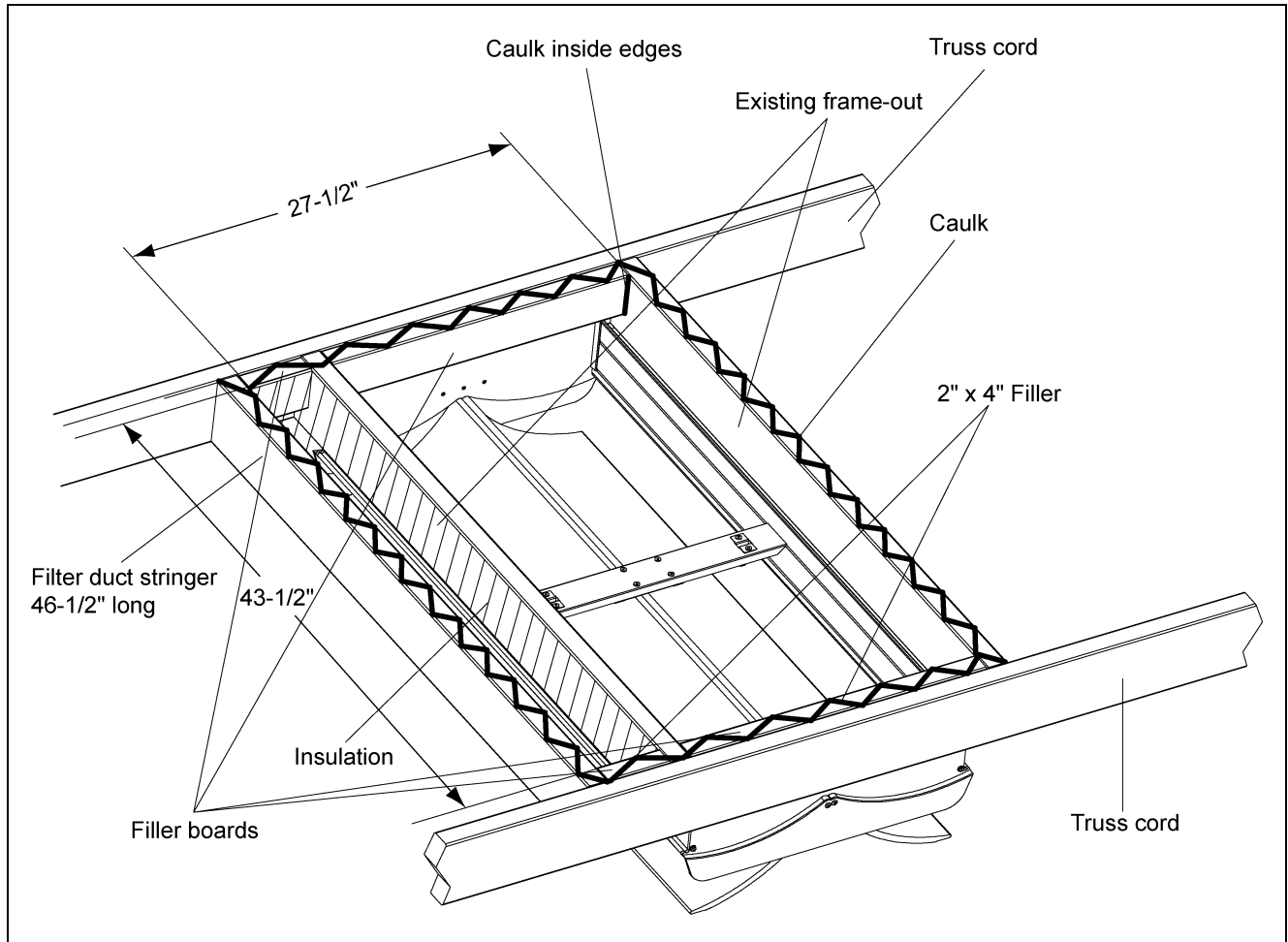


Figure 1A

NOTE: Install insulation in area between attic vent frame-out and filter duct frame-out.

Filter Duct Assembly

1. Apply one strip of caulk along the top and side flanges of the end panels to the outside of the holes as shown in [Figure 1B](#).

NOTE: Ensure the full flange length of the flange is covered with caulk.

2. Assemble the side and end panels with the screws provided (S-9423). (See [Figure 1B below](#), [Figure 1C](#), [Figure 1D on Page 6](#) and [Figure 1E on Page 7](#).)
3. Apply caulk completely around the top flange of the side and end panels. The caulk should be placed to the outside edge of the flange as shown in [Figure 1B](#).
4. Apply extra strips of caulk diagonally across the corner seams of the side and end panel flanges.
5. Attach the top panel to the side panels with screws provided.

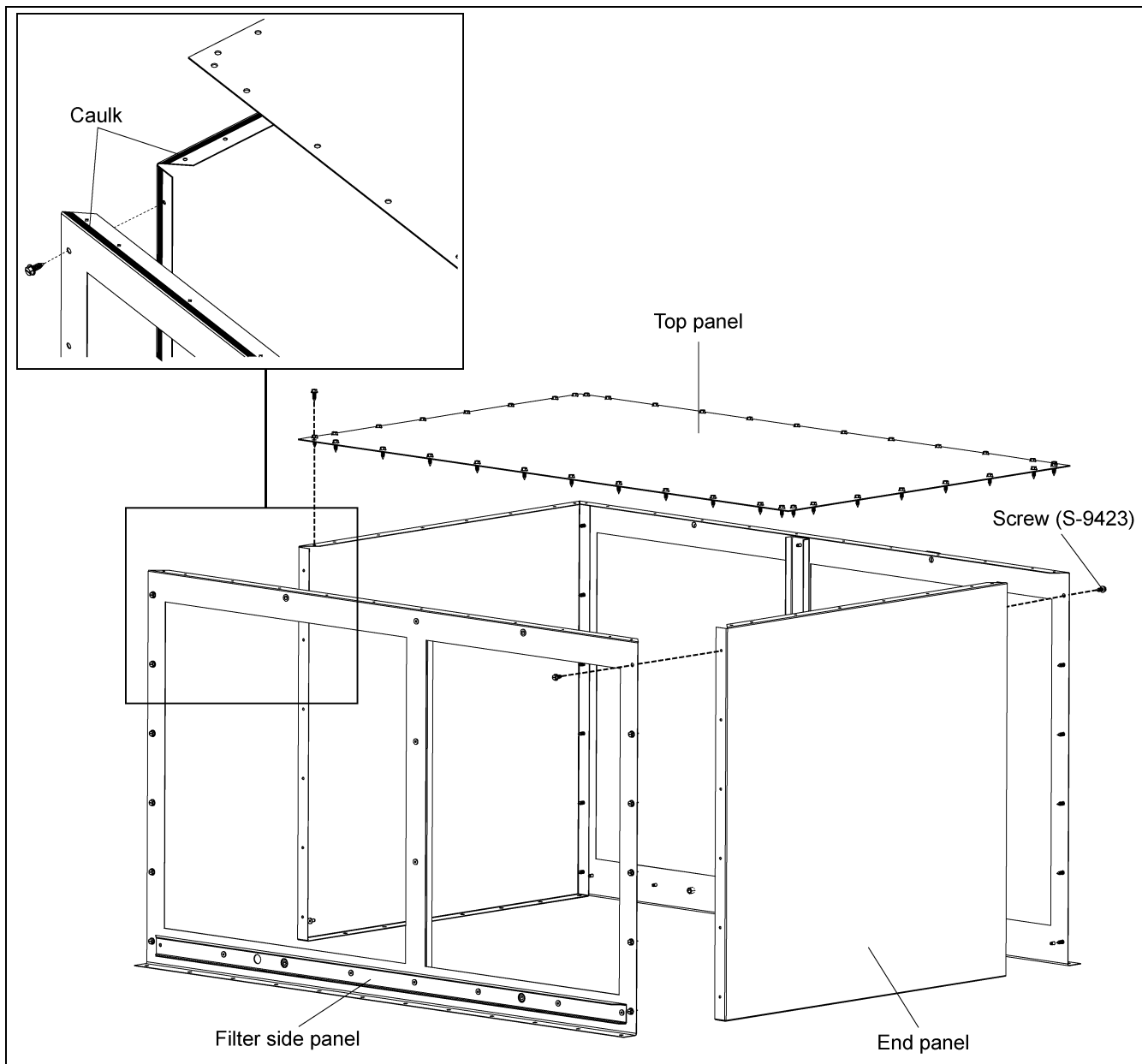


Figure 1B 30-0804 Exploded View

Filter Duct Assembly (Continued)

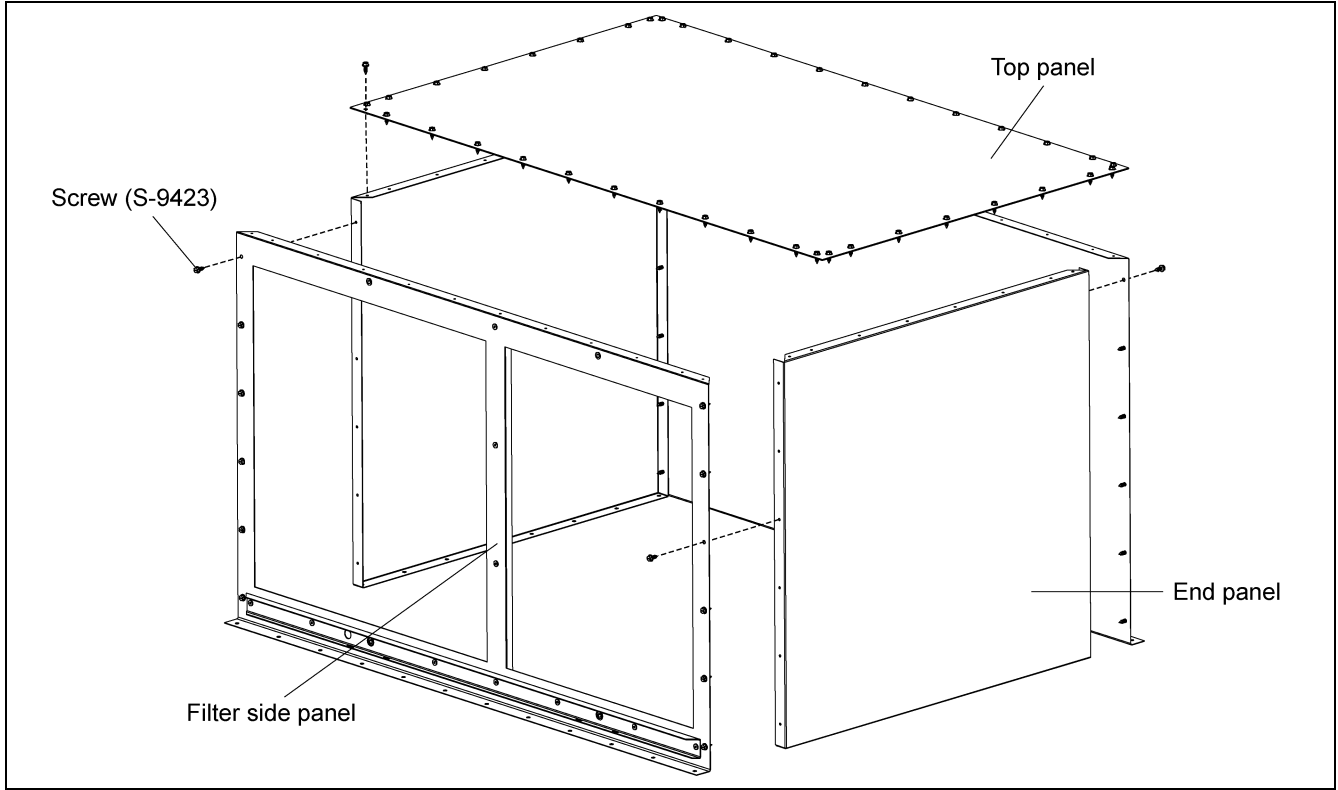


Figure 1C 30-0802 Exploded View

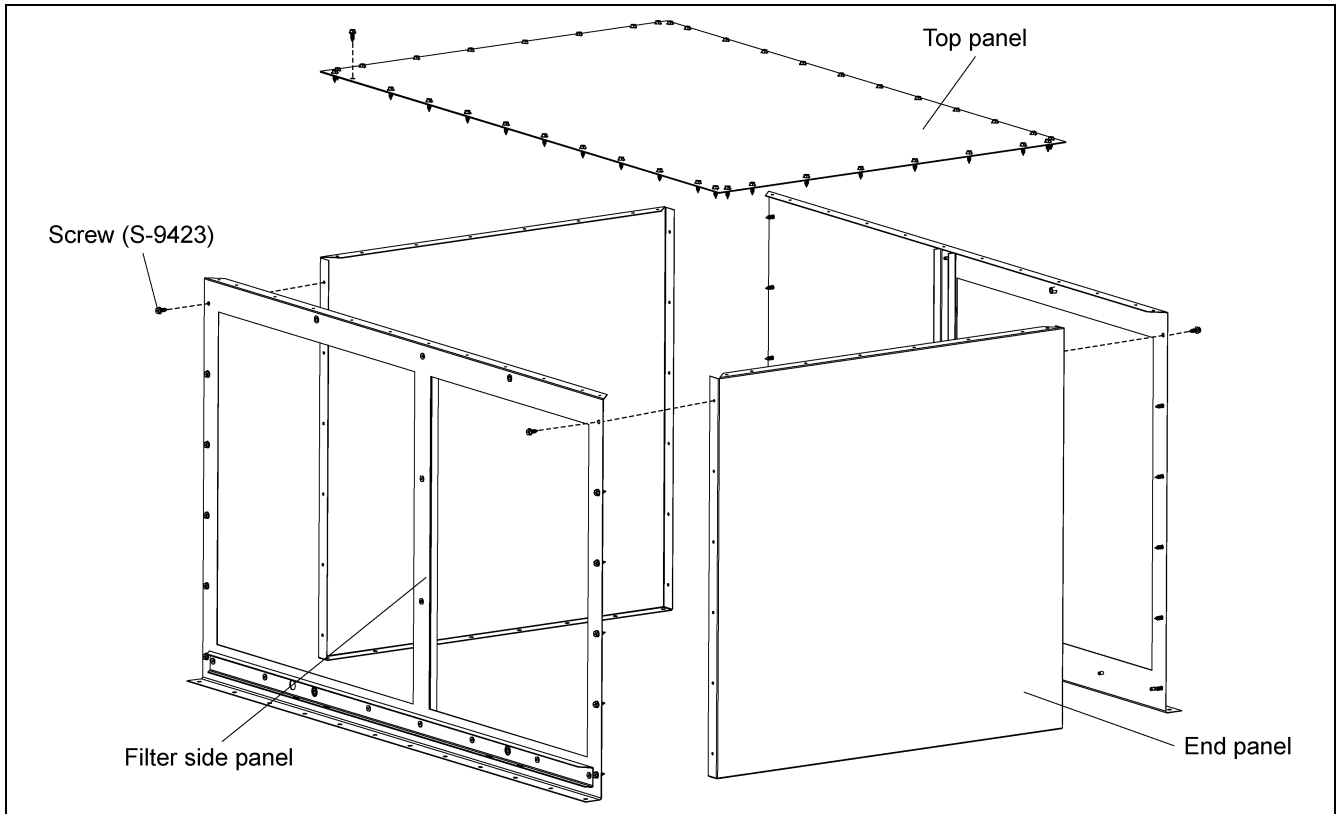


Figure 1D 30-0803 Exploded View

Filter Duct Assembly (Continued)

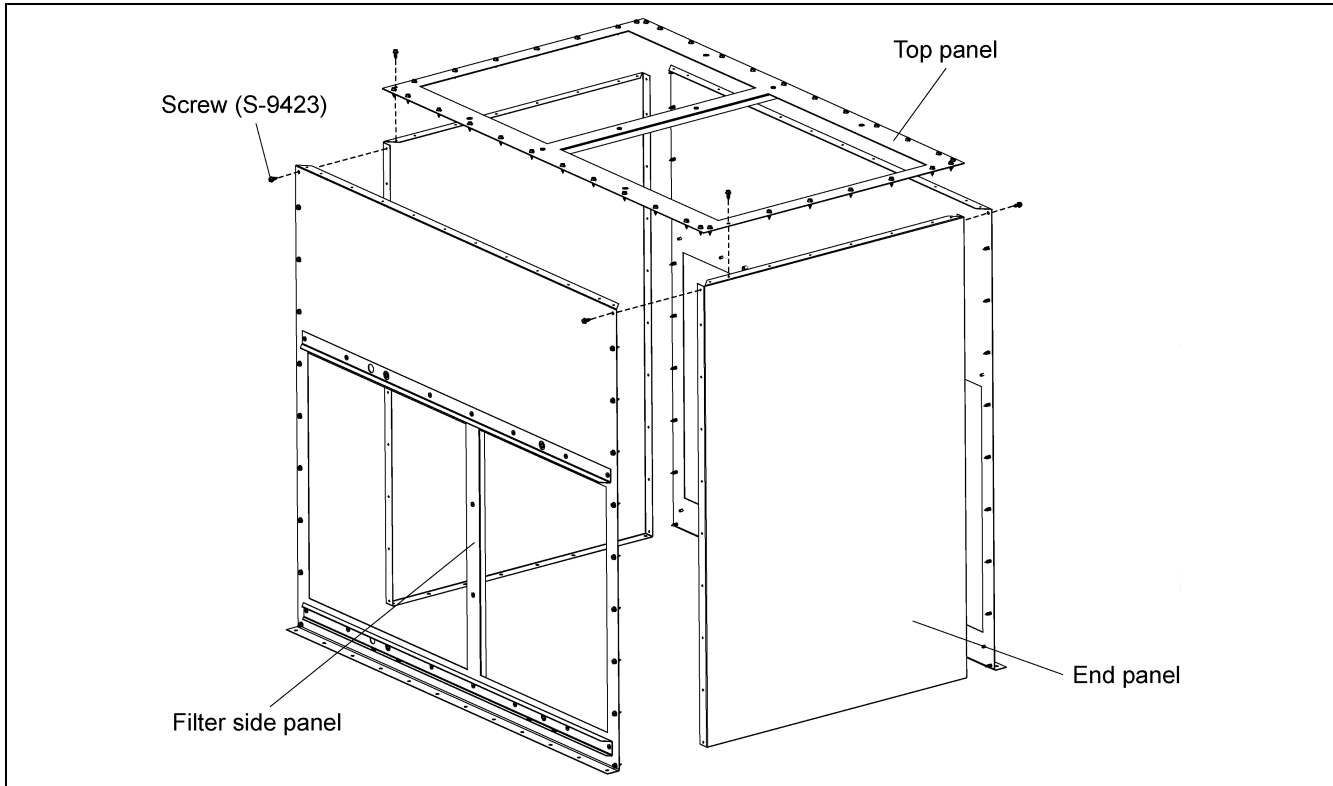


Figure 1E 30-0806 Exploded View

Filter Duct Installation

1. Seal all inside edges of the wood frame-out with silicon caulk and apply an ample amount of silicon caulk around the top side of the filter duct frame-out. (*See Figure 1A on Page 4.*)
2. Set the filter duct on the frame-out and attach duct to the wood frame with wood screws through the flanges. (Wood screws not provided.)

NOTE: *Ensure there are no gaps or leaks at any seam.*

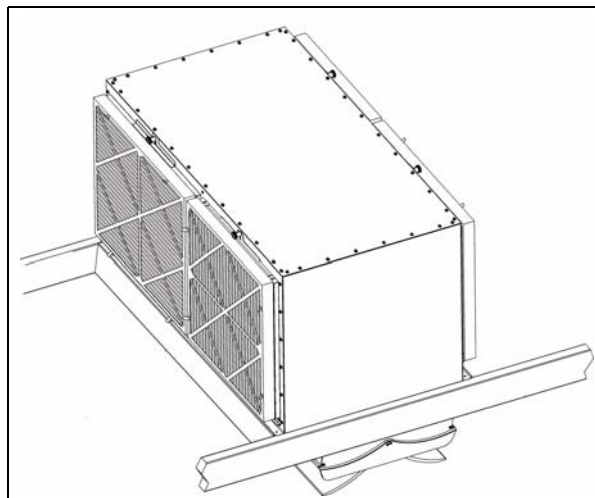


Figure 1F

1. Filter Duct Installation Instructions

Filter Installation

1. Loosely install the 30-0708 filter retaining bracket at the bottom of the filter openings using the S-10101 knobs provided.
2. Install pre-filter retainer clips into the pathogen barrier, sold separately, see manufacturers instructions. Place the L6/L9 pathogen barrier filters through the opening(s) allowing them to rest on the bottom filter retainer bracket(s). Note the direction of the pre-filter retainer clips on the filters. *(See Figure 1G.)*
3. Install the top filter retaining bracket (30-0708T) against the top portion of the filters for each opening using the S-10101 knobs provided. Tighten all knobs to ensure filters are tight against duct.

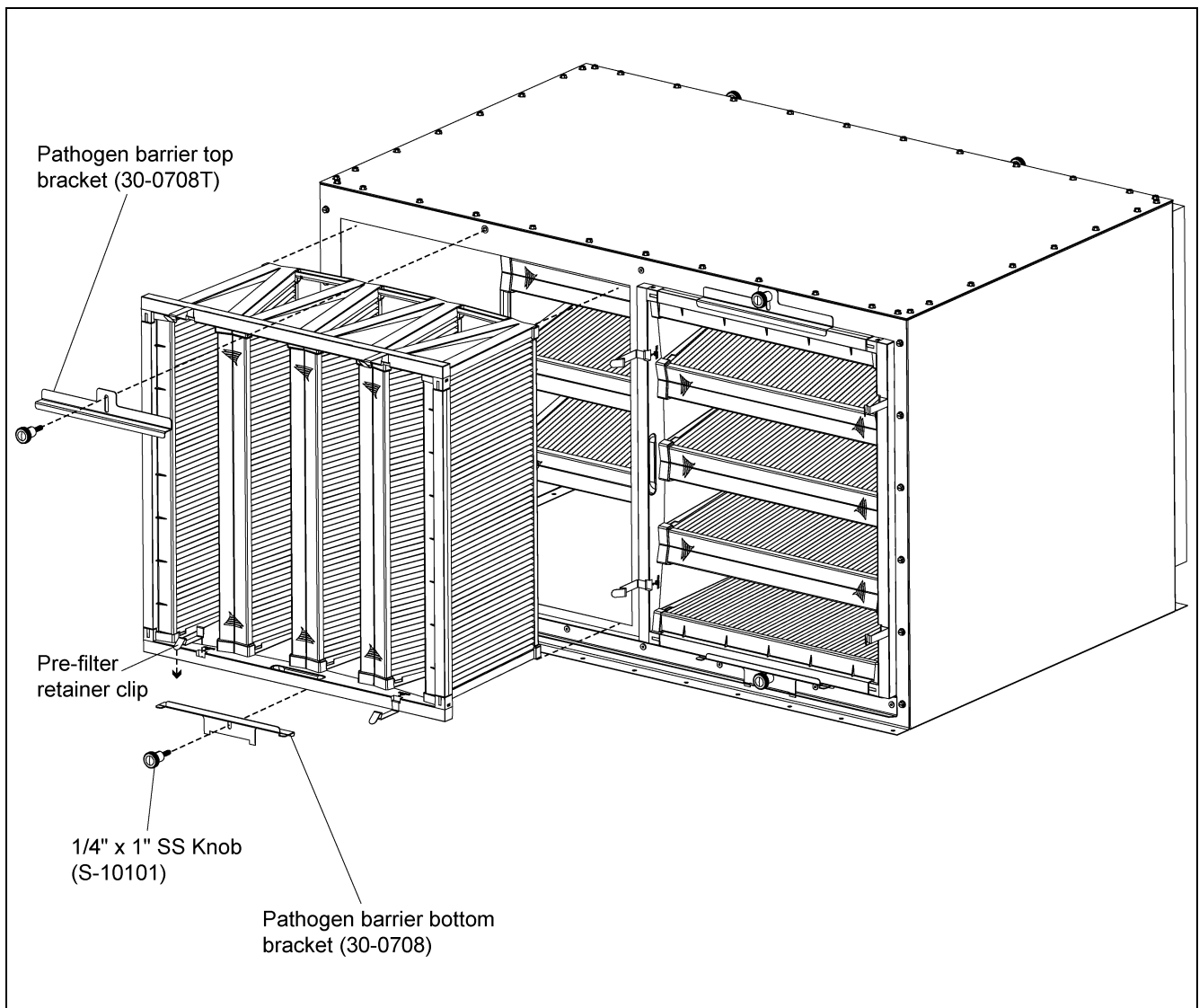


Figure 1G

Filter Plug Installation

1. If an opening is not used, install a filter duct plug (30-0841 - 20" x 24" or 30-0842 - 24" x 24") to seal the opening.
2. Filter duct plugs are installed the same as a filter. Place filter plug against duct opening and fasten to duct with retaining brackets.

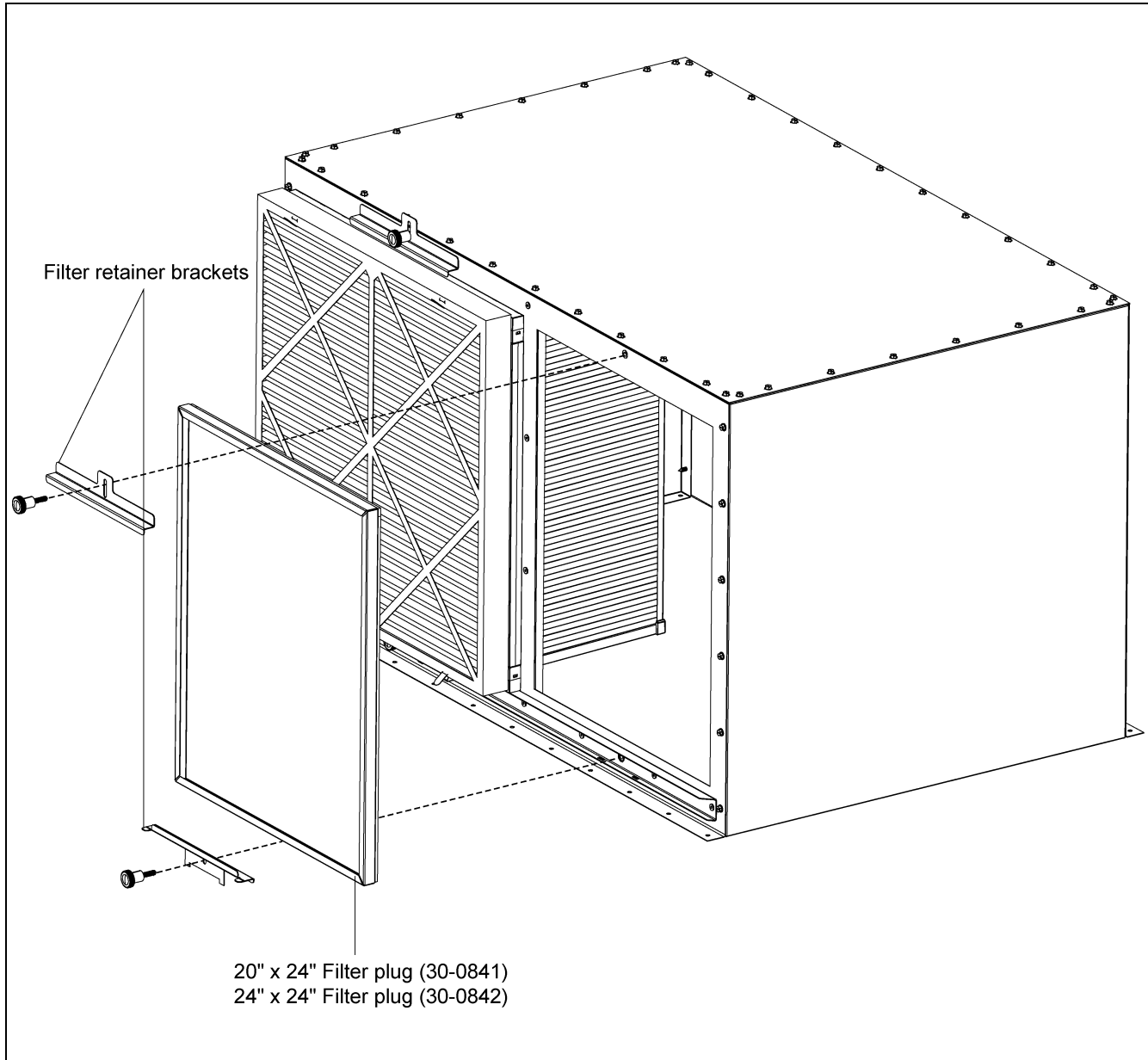
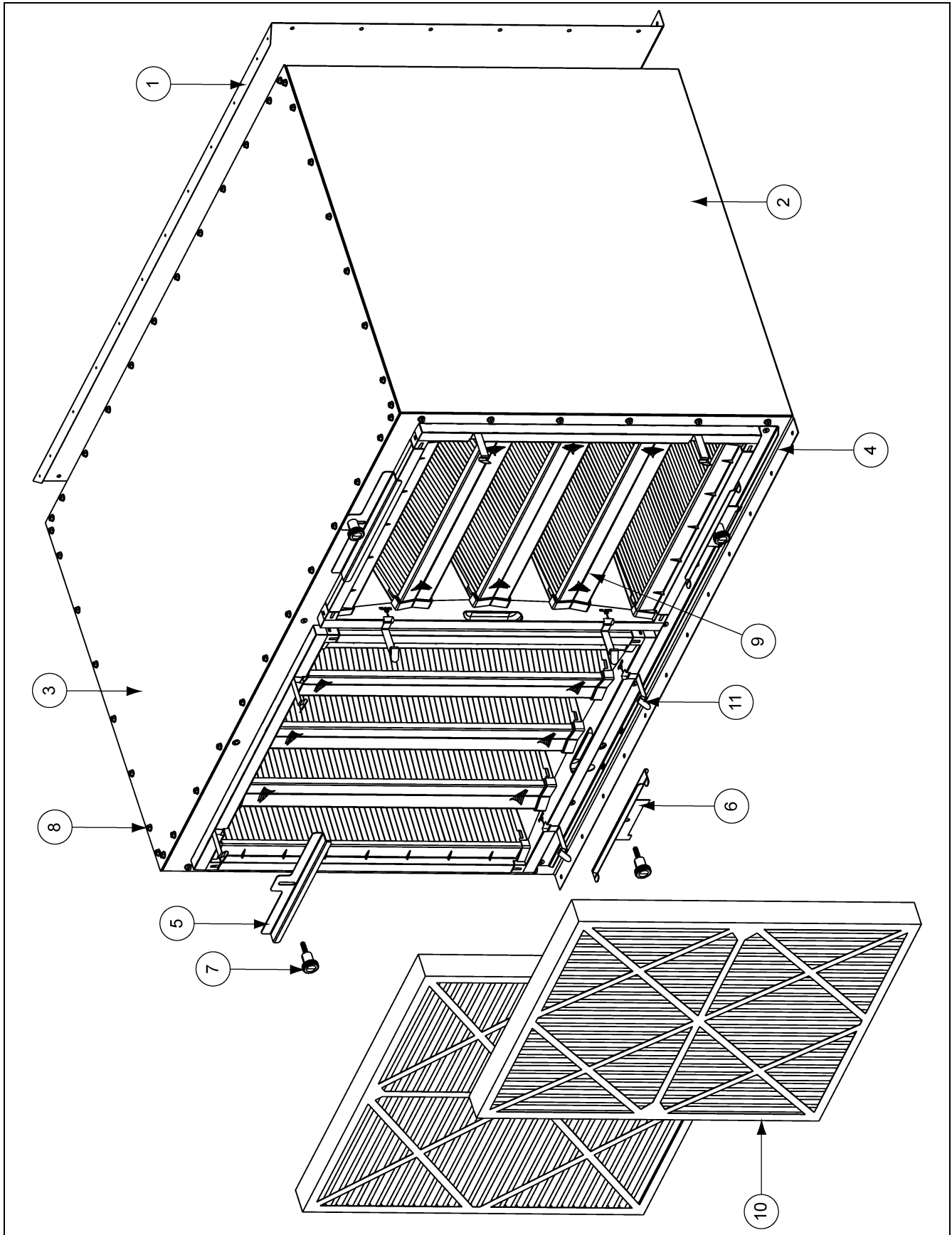


Figure 1H

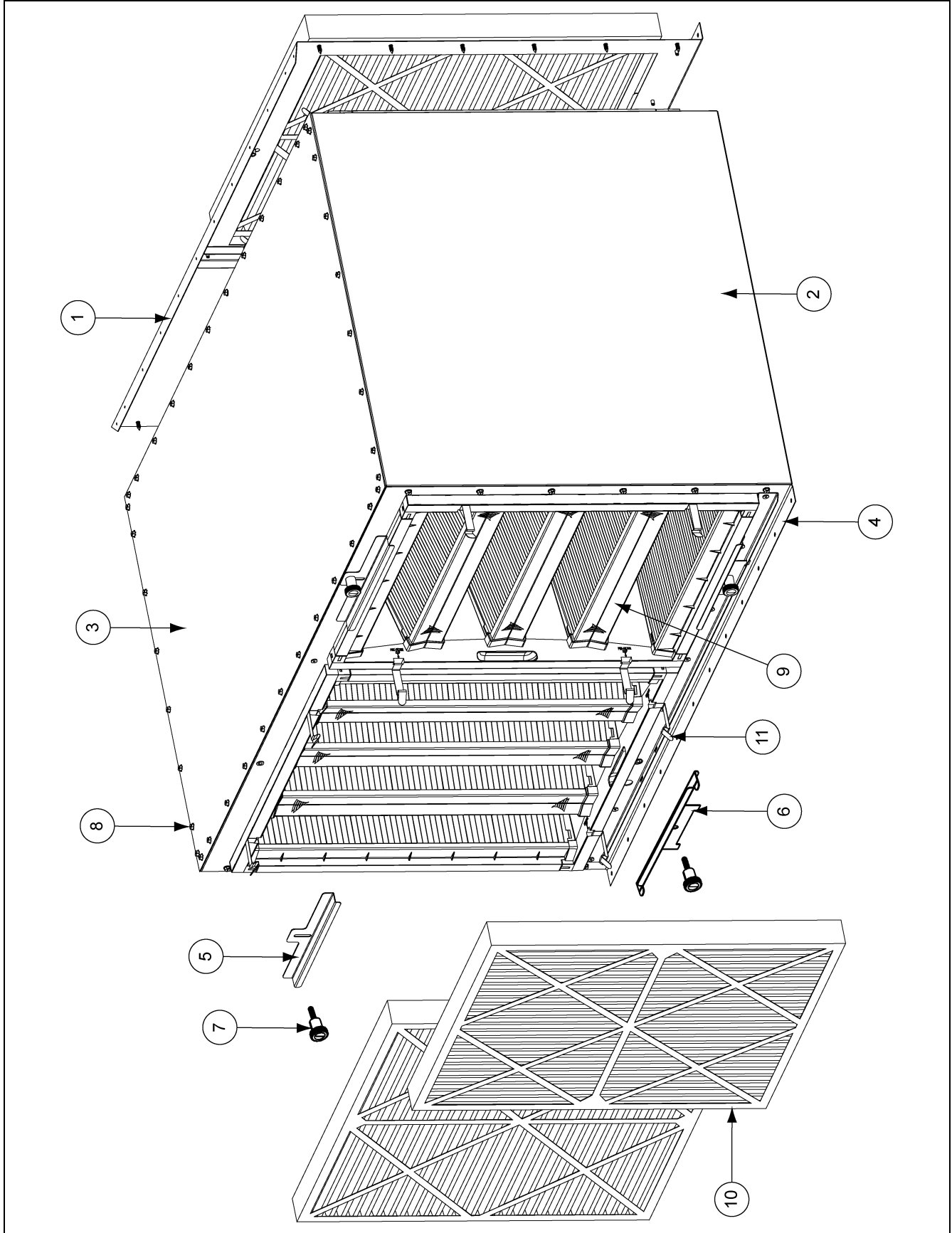
Filter Duct with Two (2) Filters (30-0802)



Filter Duct with Two (2) Filters (30-0802) Parts List

| Ref # | Part # | Description | Qty |
|------------------------|----------|--|-----|
| 1 | 30-0829 | Blank Side Panel | 1 |
| 2 | 30-0825 | End Panel | 2 |
| 3 | 30-0547 | Top Filter Panel | 1 |
| 4 | 30-0810 | Filter Side Panel | 1 |
| 5 | 30-0708T | Top Bracket - Pathogen Barrier | 2 |
| 6 | 30-0708 | Bottom Bracket - Pathogen Barrier | 2 |
| 7 | S-10101 | 1/4"-20 x 1" SS Round Knurled Knob | 4 |
| 8 | S-9423 | Screw, SMSAB #12 x 5/8" HWH ZN | 64 |
| Sold Separately | | | |
| 9 | 30-0655 | 24" x 24" M14/L6 Sealed Pathogen Barrier with Gasket on Header | |
| 9 | 30-0656 | 20" x 24" M14/L6 Sealed Pathogen Barrier with Gasket on Header | |
| 9 | 30-0657 | 24" x 24" M14/L9 Sealed Pathogen Barrier with Gasket on Header | |
| 9 | 30-0658 | 20" x 24" M14/L9 Sealed Pathogen Barrier with Gasket on Header | |
| 10 | 30-0574 | 24" x 24" Aeropleat Pre-filter 2" Thick | |
| 10 | 30-0575 | 20" x 24" Aeropleat Pre-filter 2" Thick | |
| 10 | 30-0653 | 24" x 24" Aeropleat Pre-filter 4" Thick | |
| 10 | 30-0654 | 20" x 24" Aeropleat Pre-filter 4" Thick | |
| 11 | 30-0659 | 2" Pre-filter Clip | 8 |
| 11 | 30-0660 | 4" Pre-filter Clip | 8 |
| N/S | 30-0841 | 20" x 24" Filter Plug Assembly | |
| N/S | 30-0842 | 24" x 24" Filter Plug Assembly | |

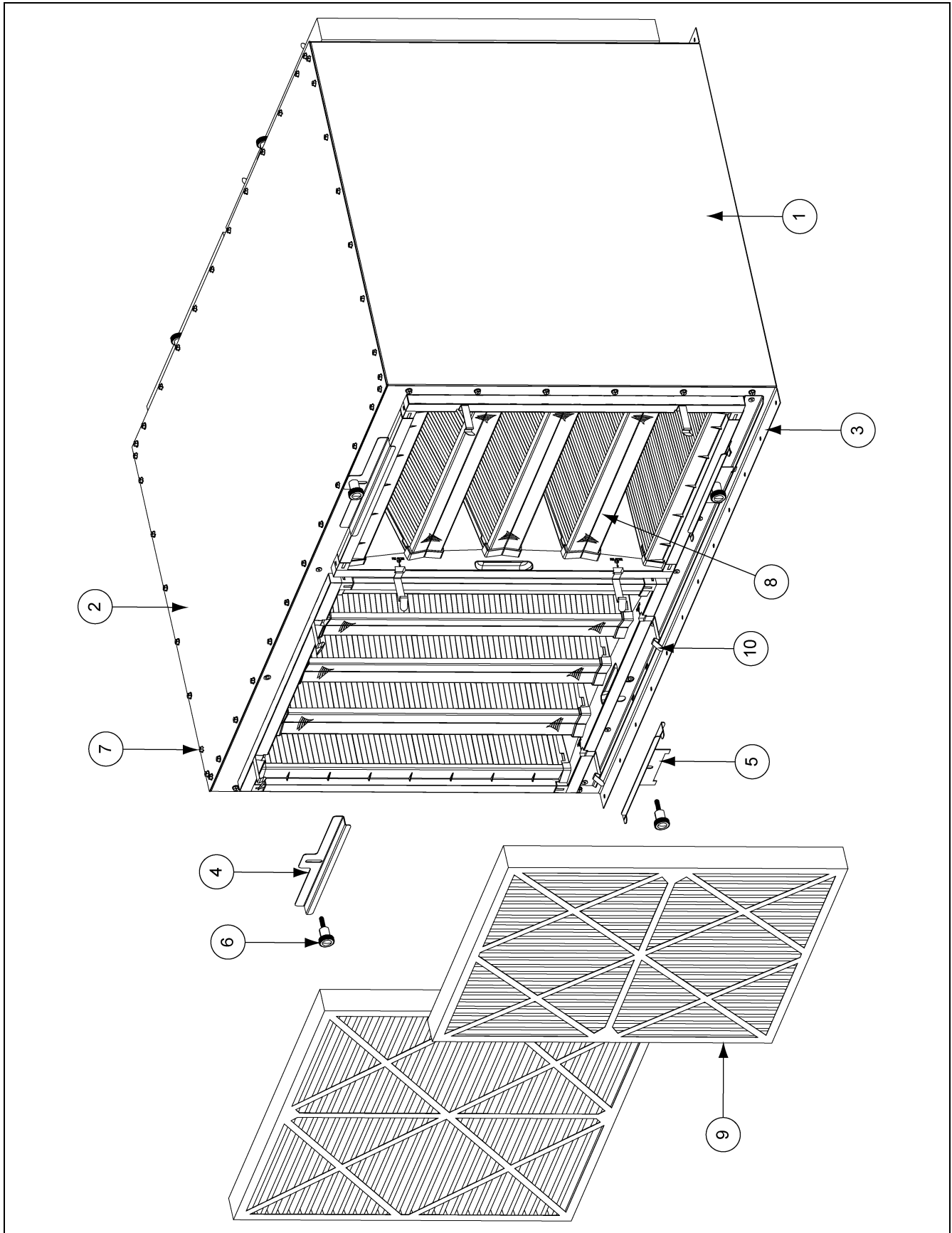
Filter Duct with Three (3) Filters (30-0803)



Filter Duct with Three (3) Filters (30-0803) Parts List

| Ref # | Part # | Description | Qty |
|------------------------|----------|--|-----|
| 1 | 30-0828 | Filter Side Panel - One Opening | 1 |
| 2 | 30-0825 | End Panel | 2 |
| 3 | 30-0547 | Top Filter Panel | 1 |
| 4 | 30-0810 | Filter Side Panel | 1 |
| 5 | 30-0708T | Top Bracket - Pathogen Barrier | 3 |
| 6 | 30-0708 | Bottom Bracket - Pathogen Barrier | 3 |
| 7 | S-10101 | 1/4"-20 x 1" SS Round Knurled Knob | 6 |
| 8 | S-9423 | Screw, SMSAB #12 x 5/8" HWH ZN | 64 |
| Sold Separately | | | |
| 9 | 30-0655 | 24" x 24" M14/L6 Sealed Pathogen Barrier with Gasket on Header | |
| 9 | 30-0656 | 20" x 24" M14/L6 Sealed Pathogen Barrier with Gasket on Header | |
| 9 | 30-0657 | 24" x 24" M14/L9 Sealed Pathogen Barrier with Gasket on Header | |
| 9 | 30-0658 | 20" x 24" M14/L9 Sealed Pathogen Barrier with Gasket on Header | |
| 10 | 30-0574 | 24" x 24" Aeropleat Pre-filter 2" Thick | |
| 10 | 30-0575 | 20" x 24" Aeropleat Pre-filter 2" Thick | |
| 10 | 30-0653 | 24" x 24" Aeropleat Pre-filter 4" Thick | |
| 10 | 30-0654 | 20" x 24" Aeropleat Pre-filter 4" Thick | |
| 11 | 30-0659 | 2" Pre-filter Clip | 12 |
| 11 | 30-0660 | 4" Pre-filter Clip | 12 |
| N/S | 30-0841 | 20" x 24" Filter Plug Assembly | |
| N/S | 30-0842 | 24" x 24" Filter Plug Assembly | |

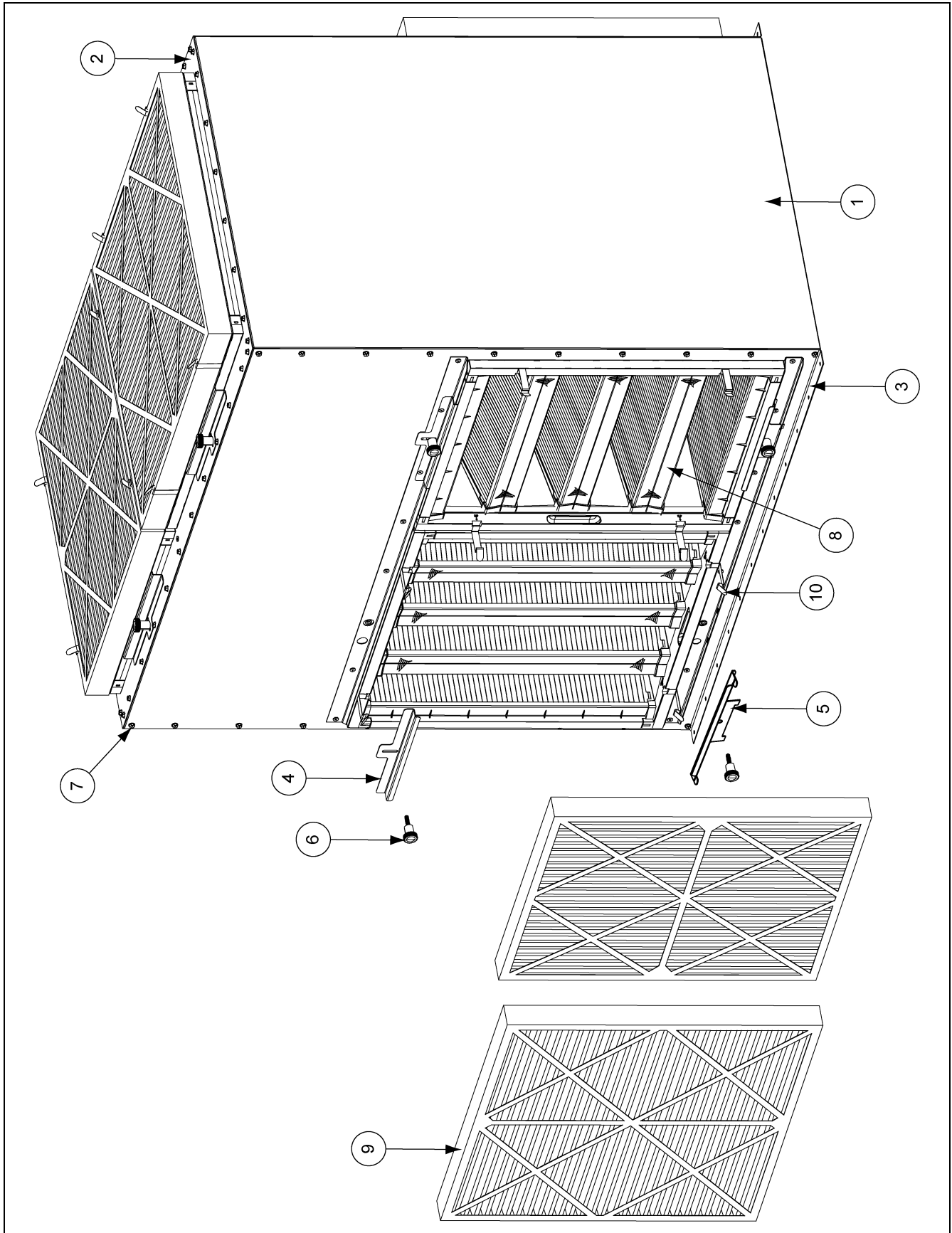
Filter Duct with Four (4) Filters (30-0804)



Filter Duct with Four (4) Filters (30-0804) Parts List

| Ref # | Part # | Description | Qty |
|------------------------|----------|--|-----|
| 1 | 30-0825 | End Panel | 2 |
| 2 | 30-0547 | Top Filter Panel | 1 |
| 3 | 30-0810 | Filter Side Panel | 2 |
| 4 | 30-0708T | Top Bracket - Pathogen Barrier | 4 |
| 5 | 30-0708 | Bottom Bracket - Pathogen Barrier | 4 |
| 6 | S-10101 | 1/4"-20 x 1" SS Round Knurled Knob | 8 |
| 7 | S-9423 | Screw, SMSAB #12 x 5/8" HWH ZN | 64 |
| Sold Separately | | | |
| 8 | 30-0655 | 24" x 24" M14/L6 Sealed Pathogen Barrier with Gasket on Header | |
| 8 | 30-0656 | 20" x 24" M14/L6 Sealed Pathogen Barrier with Gasket on Header | |
| 8 | 30-0657 | 24" x 24" M14/L9 Sealed Pathogen Barrier with Gasket on Header | |
| 8 | 30-0658 | 20" x 24" M14/L9 Sealed Pathogen Barrier with Gasket on Header | |
| 9 | 30-0574 | 24" x 24" Aeropleat Pre-filter 2" Thick | |
| 9 | 30-0575 | 20" x 24" Aeropleat Pre-filter 2" Thick | |
| 9 | 30-0653 | 24" x 24" Aeropleat Pre-filter 4" Thick | |
| 9 | 30-0654 | 20" x 24" Aeropleat Pre-filter 4" Thick | |
| 10 | 30-0659 | 2" Pre-filter Clip | 16 |
| 10 | 30-0660 | 4" Pre-filter Clip | 16 |
| N/S | 30-0841 | 20" x 24" Filter Plug Assembly | |
| N/S | 30-0842 | 24" x 24" Filter Plug Assembly | |

Filter Duct with Six (6) Filters (30-0806)



Filter Duct with Six (6) Filters (30-0806) Parts List

| Ref # | Part # | Description | Qty |
|------------------------|----------|--|-----|
| 1 | 30-0833 | End Panel | 2 |
| 2 | 30-0830 | Top Filter Panel | 1 |
| 3 | 30-0811 | Filter Side Panel | 2 |
| 4 | 30-0708T | Top Bracket - Pathogen Barrier | 6 |
| 5 | 30-0708 | Bottom Bracket - Pathogen Barrier | 6 |
| 6 | S-10101 | 1/4"-20 x 1" SS Round Knurled Knob | 12 |
| 7 | S-9423 | Screw, SMSAB #12 x 5/8" HWH ZN | 80 |
| Sold Separately | | | |
| 8 | 30-0655 | 24" x 24" M14/L6 Sealed Pathogen Barrier with Gasket on Header | |
| 8 | 30-0656 | 20" x 24" M14/L6 Sealed Pathogen Barrier with Gasket on Header | |
| 8 | 30-0657 | 24" x 24" M14/L9 Sealed Pathogen Barrier with Gasket on Header | |
| 8 | 30-0658 | 20" x 24" M14/L9 Sealed Pathogen Barrier with Gasket on Header | |
| 9 | 30-0574 | 24" x 24" Aeropleat Pre-filter 2" Thick | |
| 9 | 30-0575 | 20" x 24" Aeropleat Pre-filter 2" Thick | |
| 9 | 30-0653 | 24" x 24" Aeropleat Pre-filter 4" Thick | |
| 9 | 30-0654 | 20" x 24" Aeropleat Pre-filter 4" Thick | |
| 10 | 30-0659 | 2" Pre-filter Clip | 48 |
| 10 | 30-0660 | 4" Pre-filter Clip | 48 |
| N/S | 30-0841 | 20" x 24" Filter Plug Assembly | |
| N/S | 30-0842 | 24" x 24" Filter Plug Assembly | |

NOTES

GSI Group, LLC Limited Warranty

The GSI Group, LLC ("GSI") warrants products which it manufactures to be free of defects in materials and workmanship under normal usage and conditions for a period of 12 months after sale to the original end-user or if a foreign sale, 14 months from arrival at port of discharge, whichever is earlier. The end-user's sole remedy (and GSI's only obligation) is to repair or replace, at GSI's option and expense, products that in GSI's judgment, contain a material defect in materials or workmanship. Expenses incurred by or on behalf of the end-user without prior written authorization from the GSI Warranty Group shall be the sole responsibility of the end-user.

Warranty Extensions:

The Limited Warranty period is extended for the following products:

| | Product | Warranty Period | |
|--|---|-----------------|---|
| AP Fans and Flooring | Performer Series Direct Drive Fan Motor | 3 Years | * Warranty prorated from list price: 0 to 3 years - no cost to end-user 3 to 5 years - end-user pays 25% 5 to 7 years - end-user pays 50% 7 to 10 years - end-user pays 75% |
| | All Fiberglass Housings | Lifetime | |
| | All Fiberglass Propellers | Lifetime | |
| Cumberland Feeding/Watering Systems | Feeder System Pan Assemblies | 5 Years ** | ** Warranty prorated from list price: 0 to 3 years - no cost to end-user 3 to 5 years - end-user pays 50% |
| | Feed Tubes (1-3/4" and 2.00") | 10 Years * | |
| | Centerless Augers | 10 Years * | |
| | Watering Nipples | 10 Years * | |
| Grain Systems | Grain Bin Structural Design | 5 Years | |
| Grain Systems Farm Fans Zimmerman | Portable and Tower Dryers | 2 Years | † Motors, burner components and moving parts not included. Portable dryer screens included. Tower dryer screens not included. |
| | Portable and Tower Dryer Frames and Internal Infrastructure † | 5 Years | |

GSI further warrants that the portable and tower dryer frame and basket, excluding all auger and auger drive components, shall be free from defects in materials for a period of time beginning on the twelfth (12th) month from the date of purchase and continuing until the sixtieth (60th) month from the date of purchase (extended warranty period). During the extended warranty period, GSI will replace the frame or basket components that prove to be defective under normal conditions of use without charge, excluding the labor, transportation, and/or shipping costs incurred in the performance of this extended warranty.

Conditions and Limitations:

THERE ARE NO WARRANTIES THAT EXTEND BEYOND THE LIMITED WARRANTY DESCRIPTION SET FORTH ABOVE. SPECIFICALLY, GSI MAKES NO FURTHER WARRANTY OF ANY KIND, EXPRESS OR IMPLIED, INCLUDING, WITHOUT LIMITATION, WARRANTIES OF MERCHANTABILITY OR FITNESS FOR A PARTICULAR PURPOSE OR USE IN CONNECTION WITH: (I) PRODUCT MANUFACTURED OR SOLD BY GSI OR (II) ANY ADVICE, INSTRUCTION, RECOMMENDATION OR SUGGESTION PROVIDED BY AN AGENT, REPRESENTATIVE OR EMPLOYEE OF GSI REGARDING OR RELATED TO THE CONFIGURATION, INSTALLATION, LAYOUT, SUITABILITY FOR A PARTICULAR PURPOSE, OR DESIGN OF SUCH PRODUCTS.

GSI shall not be liable for any direct, indirect, incidental or consequential damages, including, without limitation, loss of anticipated profits or benefits. The sole and exclusive remedy is set forth in the Limited Warranty, which shall not exceed the amount paid for the product purchased. This warranty is not transferable and applies only to the original end-user. GSI shall have no obligation or responsibility for any representations or warranties made by or on behalf of any dealer, agent or distributor.

GSI assumes no responsibility for claims resulting from construction defects or unauthorized modifications to products which it manufactured. Modifications to products not specifically delineated in the manual accompanying the equipment at initial sale will void the Limited Warranty.

This Limited Warranty shall not extend to products or parts which have been damaged by negligent use, misuse, alteration, accident or which have been improperly/inadequately maintained. This Limited Warranty extends solely to products manufactured by GSI.

Prior to installation, the end-user has the responsibility to comply with federal, state and local codes which apply to the location and installation of products manufactured or sold by GSI.

This equipment shall be installed in accordance with the current installation codes and applicable regulations which should be carefully followed in all cases. Authorities having jurisdiction should be consulted before installations are made.



**1004 E. Illinois St.
Assumption, IL 62510-0020
Phone: 1-217-226-4421
Fax: 1-217-226-4420
www.gsiag.com**