



## Installation

Refer to [Figure 1 on Page 2](#) as the scales are being assembled and installed.

1. Hang the 650# hopper scale assembly with four (4) drops from the main winch cable.
2. Using the cotter pins attached to the unloader, assemble the unloader extension to the top of the unloader. With cables, the unloader/extension assembly can now be suspended from the 650# hopper scale assembly at the desired height.
3. Assemble the hopper hangers to the hopper during hopper assembly. The hangers for 120/200 lb. hoppers and 300/400 lb. hoppers are included with the scale. Use the correct set of hangers for the hopper that you have.
4. Attach the scale gate to the bottom of the hopper and secure into place with the supplied cotter pins.
5. The hopper can now be placed into the scale with the notches in the hopper hanger resting on the hopper scale bars.



# 650 Lbs. Hopper Scale

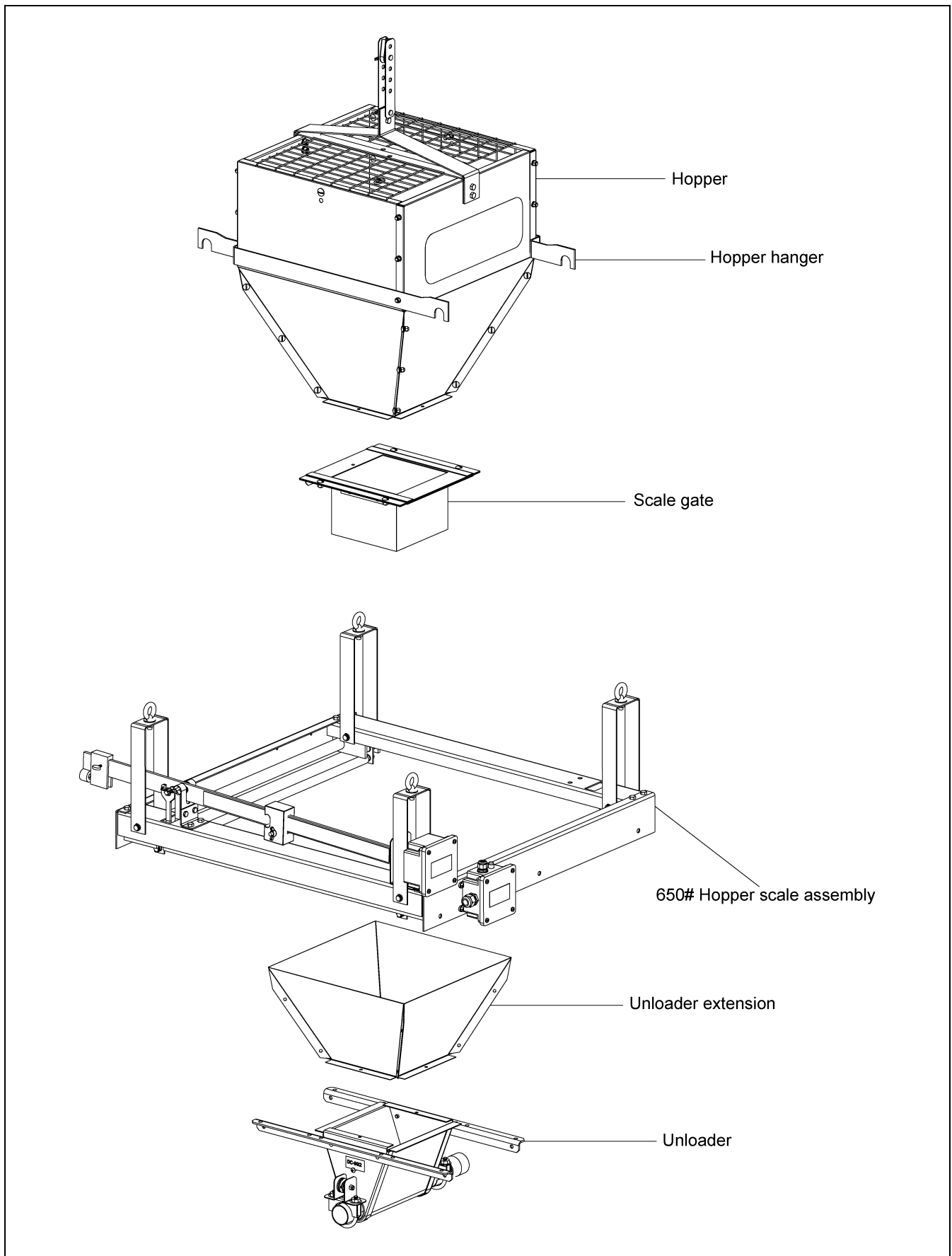


Figure 1

