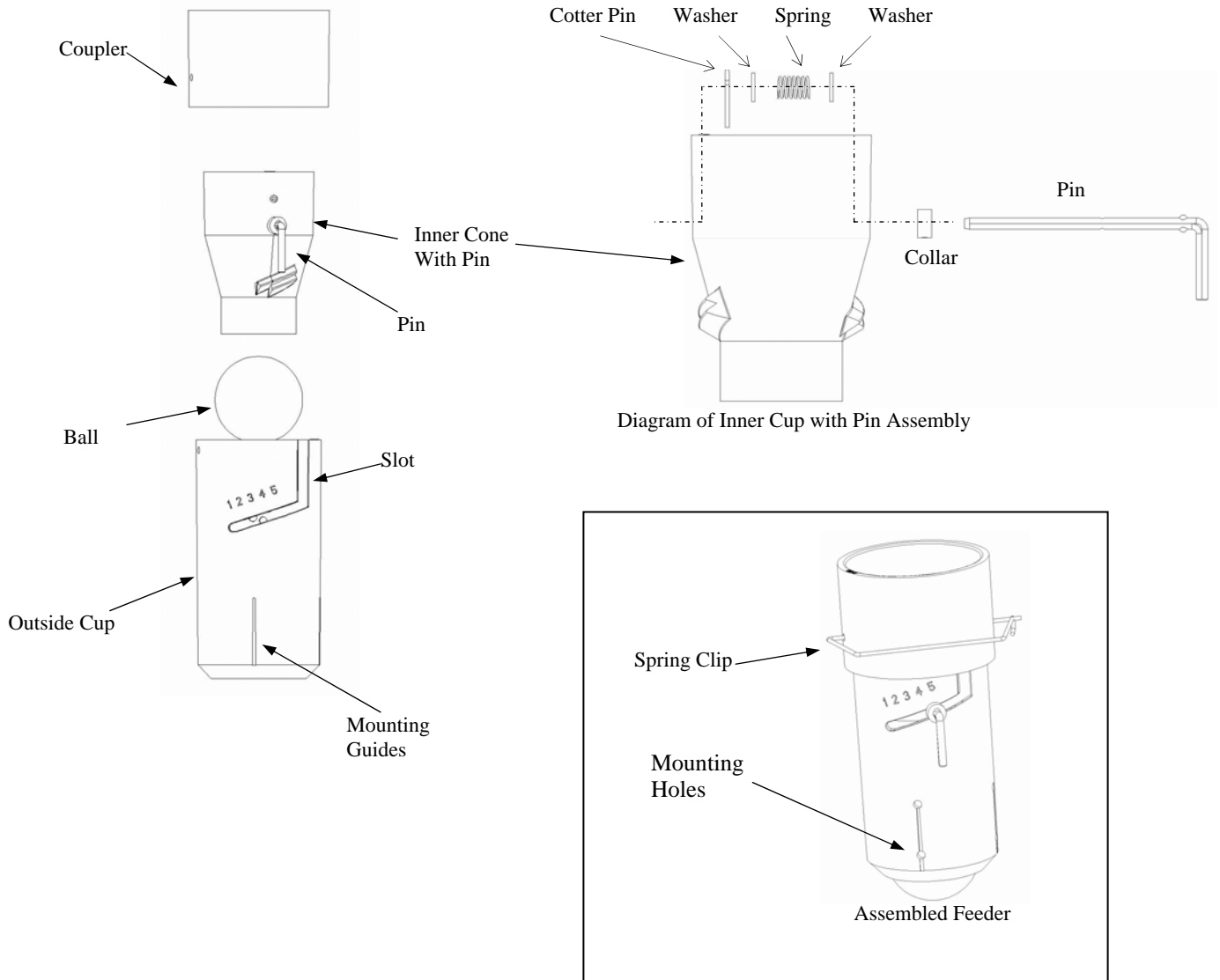
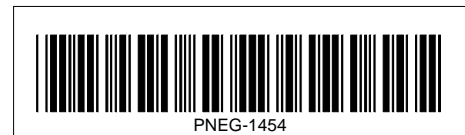


## Intak Feeder – AP-3921 Supplementary Instructions

1. Determine how the intak feeder is to be mounted. (See Mounting Options)
2. With the outside cup empty, use the mounting guides to drill out the holes and mount the outside cup using the four bolts provided. **DO NOT DRILL HOLES ABOVE THE TOP OF THE MOUNTING GUIDE.**
3. Insert ball into large outside cup.
4. Line up the pin to the slot on outside cup, pull on pin so the spring is compressed and insert the cone into the outside cup.
5. Pull on the pin and rotate the cup until desired location, release pin and ensure the end of the pin goes through the holes in the outside cone to lock in place.
6. Place coupler on the feeder, making sure to push coupler all the way onto the outside cup. Using the two holes already in the coupler as a template, drill two holes through the outside cup sides.
7. Once the coupler is in place, slide the spring clip through the coupler and the sides of the outside cup, then squeeze the clip together to close it.
8. Attach the fill hopper or feed tube to the coupler using the two self-drilling screws provided.

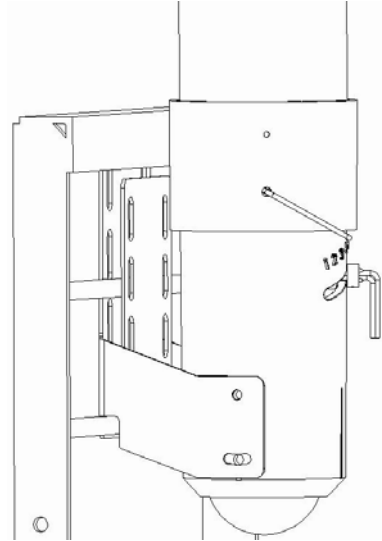
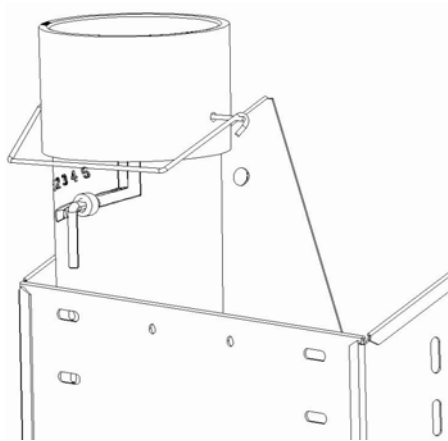


Originated 06/24/05

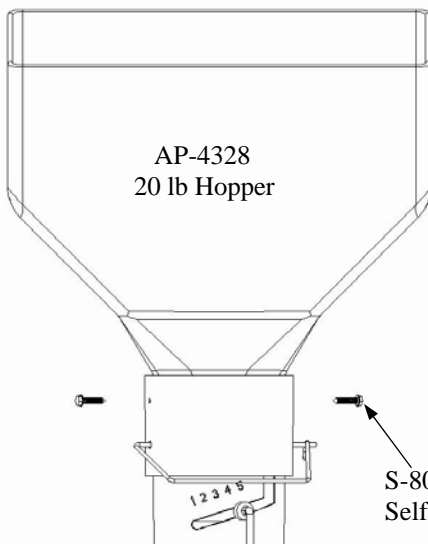


## Mounting Options

Corner Mount



AP-3960 and AP-3961  
Gate Mount Clamping  
Brackets



S-8045  
Self Drilling Screws

Replacement Parts of AP-3921	
3FH0525	Rivet 1/8" SS
S-9381	Spring SS
50-0159	1/4" ID Collar
AP-1248	Ball 3-3/16" Diameter
AP-3896	Outside Cup
AP-3897	Inner Cone
AP-3919	Pin
AP-3959	Coupler
AP-3965	Spring Cover
AP-4033	Spring Clip
S-8045	SD Screw #10x3/4"
S-6673	Flat Washer 1/4" ID
S-9380	Cotter Pin 3/32"x3/4"