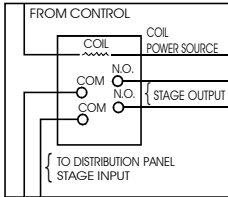


WE RECOMMEND INSTALLING A FUSE BOX ON EACH STAGE



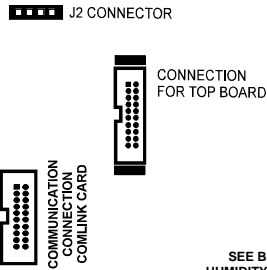
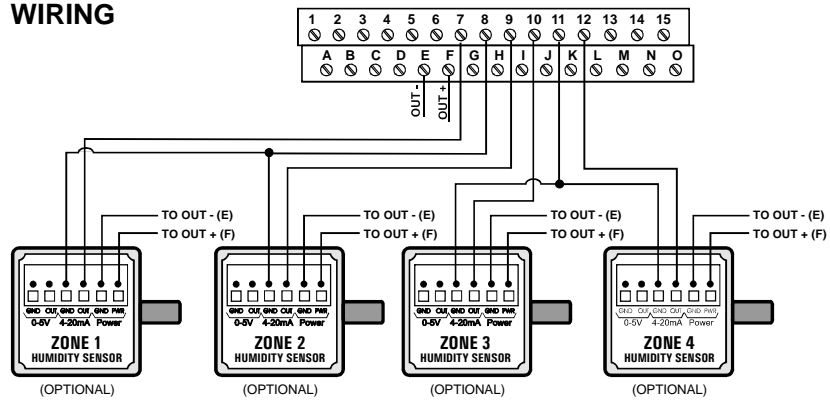
DO NOT DRILL THE SIDES OF THE UNIT CONTROL. USE AVAILABLE KNOCK OUTS AT THE BOTTOM OF THE UNIT.

THE CAPACITY OF THE INTERNAL RELAYS IS 6 AMP. "MOTOR LOAD". WE RECOMMEND INSTALLING EXTERNAL RELAYS ON "ON/OFF" STAGES HOOKED TO MOTORS.

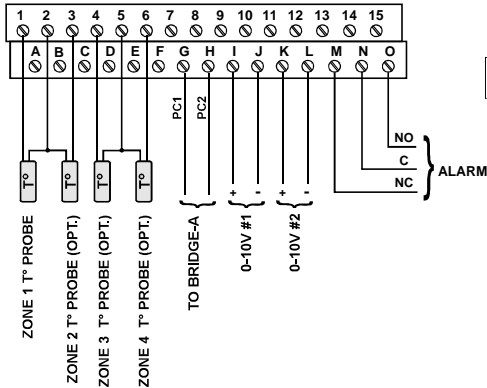


- NOTES :**
1. Installation of a good quality alarm system is strongly suggested to warn of power failures and high/low temperatures.
 2. Provide a surge protection (including lightning protection) from the power supply to the controller and from the control to the sensors. Consult a certified electrician if required.

HUMIDITY SENSORS' WIRING

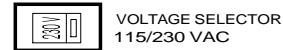
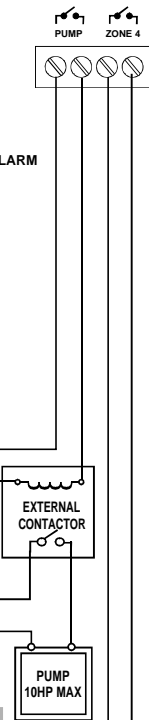


SEE BELOW FOR THE HUMIDITY SENSORS' WIRING



CONTACTOR POWER SUPPLY
230 VAC (115 VAC)

PUMP POWER SUPPLY
230 VAC (115 VAC)



VOLTAGE SELECTOR
115/230 VAC

LEAVE A CLEARANCE OF AT LEAST 12" TO THE LEFT OF THE CONTROLLER BOX TO ALLOW FOR THE COVER TO BE REMOVED FOR MAINTENANCE.

