

Figure 1

NOTE: All hardware connections are made using 5/16" x 3/4" SS flange bolts with 5/16" SS flange waxed nuts.

Step 1A: Bolt top plate (2) to bottom weldment (1) using six (6) bolts and nuts (three (3) each end).

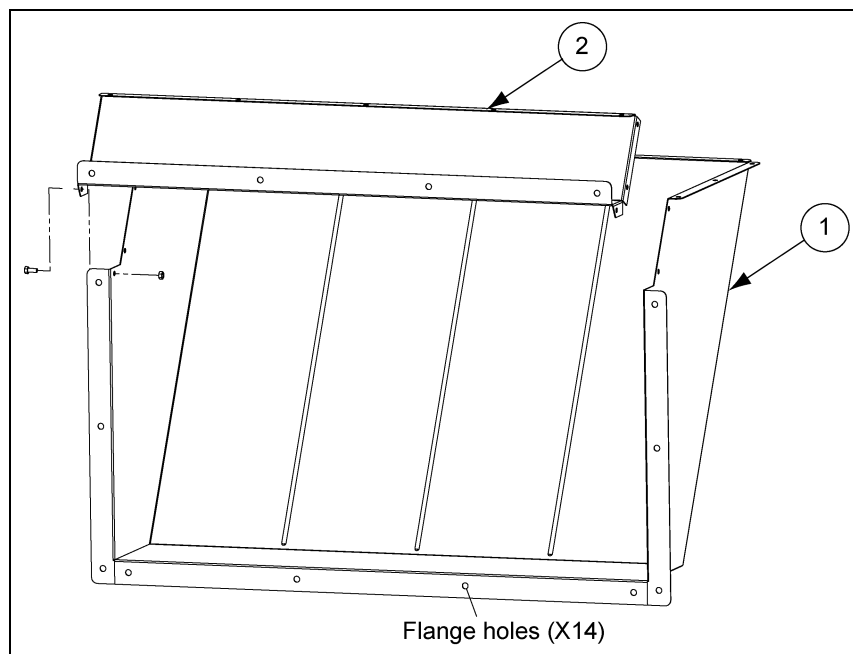


Figure 2



Stainless Steel Pit Transition

Step 1B: Set assembly from step 1 against pit wall and mark flange holes for drilling (fourteen (14) total).

Step 1C: Remove assembly and drill holes in pit for anchoring. Install fourteen (14) 1/2" anchor bolts (not included).

Step 1D: Apply sealant (not included) to flange of transition assembled in [Step 1A on Page 1](#).

Step 1E: Reinstall assembly onto pit wall and securely fasten using the anchor bolts. Back fill around transition and pit wall.

Step 2: Bolt left and right hand side plate ((3) and (4)) to fan mounting plate (5) using twelve (12) bolts and nuts (six (6) per panel).

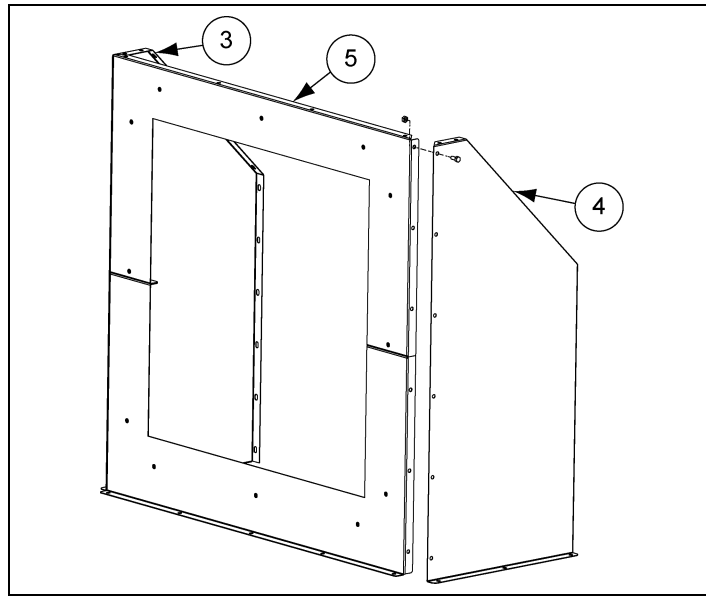


Figure 3

Step 3: Bolt top panel wrap (6) to side panels ((3) and (4)) and fan mounting plate (5) using twenty-eight (28) bolts and nuts.

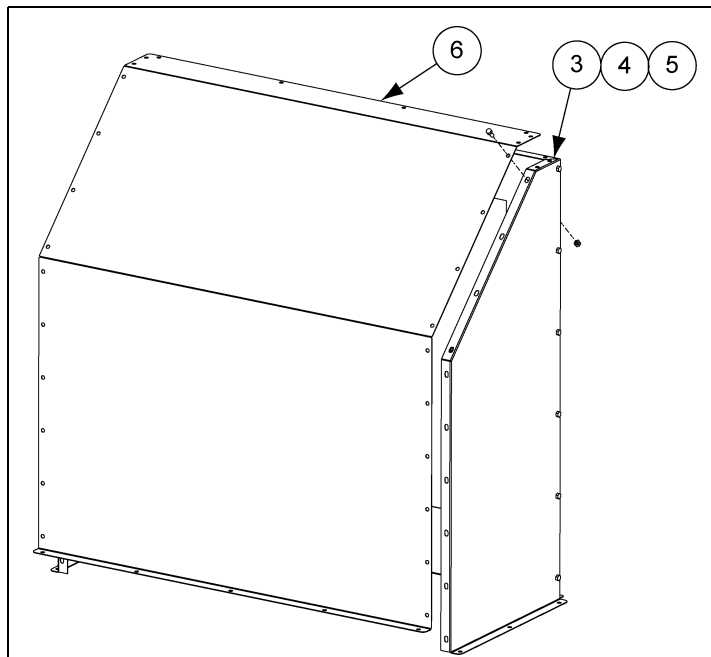


Figure 4

Step 4: Bolt assembly from *Steps 2 and 3 on Page 2* to the bottom weldment (1) that was anchored to the pit wall using sixteen (16) bolts and nuts.

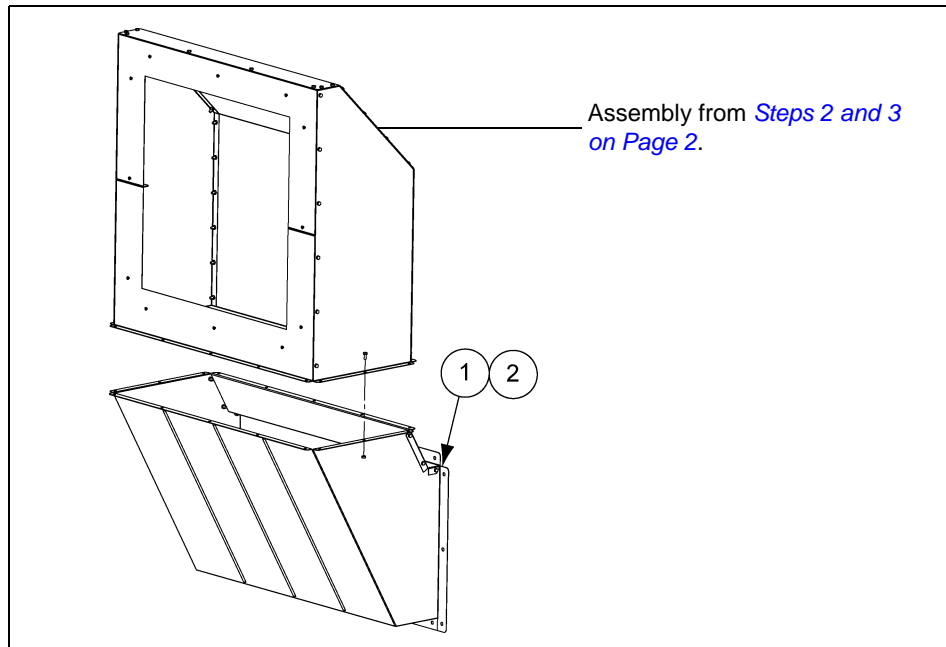


Figure 5

Step 5: Bolt stationary Z-channel (7) to fan mounting plate (5) below the opening using three (3) bolts. Loosely bolt the three (3) adjustable Z-channels (8) to the fan mounting plate five (5).
NOTE: *There are threaded weld tabs on the fan plate that the bolts thread into for all four (4) of the Z-channels. No nut is required.*

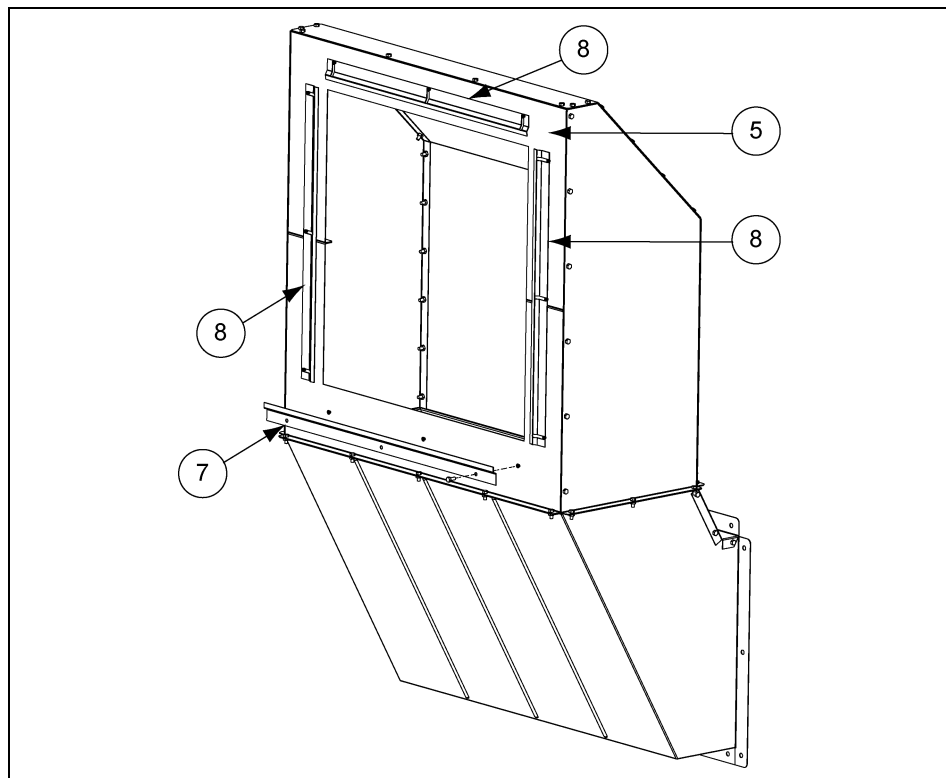


Figure 6

Stainless Steel Pit Transition

Step 6 (Not shown): Place lower flange of fan housing into stationary Z-channel (7) centering the fan over the opening in the fan mounting plate (5).

Step 7 (Not shown): Push fan up against the fan mounting plate (5). Slide the three (3) adjustable Z-channels (8) over the fan flange and tighten the bolts to securely fasten the fan.

Ref #	Part #			Description	Qty
	SPT-14	SPT-18	SPT-24		
1	AP-4594	AP-4594	AP-4594	Bottom Weldment	1
2	AP-2688	AP-2688	AP-2688	Bottom Weldment Top Plate	1
3	AP-2689	AP-2689	AP-2689	Left Hand Side Panel	1
4	AP-2690	AP-2690	AP-2690	Right Hand Side Panel	1
5	AP-4674	AP-4671	AP-4663	Fan Mounting Plate Assembly	1
6	AP-2691	AP-2691	AP-2691	Top Panel Wrap	1
7	AP-2829	AP-2827	AP-2830	Stationary Z-Channel	1
8	AP-2744	AP-2774	AP-2770	Adjustable Z-Channels	3
N/S	S-8956	S-8956	S-8956	5/16"-18 x 3/4" SS Flange Bolt	74
N/S	S-8452	S-8452	S-8452	5/16" SS Flange Waxed Nut	62