

Quick Lock Kit for 24" Pit Fan Transition

Assembly Manual

PNEG-1607
Date: 01-01-15



Contents

Chapter 1 Safety	4
Safety Guidelines	4
Safety Instructions	5
Chapter 2 Assembly	7
Complete Assembly Views	11
Chapter 3 Parts List	12
Chapter 4 Warranty	13

Safety Guidelines

This manual contains information that is important for you, the owner/operator, to know and understand. This information relates to protecting **personal safety** and **preventing equipment problems**. It is the responsibility of the owner/operator to inform anyone operating or working in the area of this equipment of these safety guidelines. To help you recognize this information, we use the symbols that are defined below. Please read the manual and pay attention to these sections. Failure to read this manual and its safety instructions is a misuse of the equipment and may lead to serious injury or death.



This is the safety alert symbol. It is used to alert you to potential personal injury hazards. Obey all safety messages that follow this symbol to avoid possible injury or death.



This symbol indicates an imminently hazardous situation which, if not avoided, **will result in serious injury or death**.



This symbol indicates a potentially hazardous situation which, if not avoided, **may result in serious injury or death**.



This symbol indicates a potentially hazardous situation which, if not avoided, **may result in minor or moderate injury**.



This symbol indicates a potentially hazardous situation which, if not avoided, **may result in property damage**.

Safety Instructions

Our foremost concern is your safety and the safety of others associated with this equipment. We want to keep you as a customer. This manual is to help you understand safe operating procedures and some problems which may be encountered by the operator and other personnel.

As owner and/or operator, it is your responsibility to know what requirements, hazards and precautions exist, and to inform all personnel associated with the equipment or in the area. Safety precautions may be required from the personnel. Avoid any alterations to the equipment. Such alterations may produce a very dangerous situation where **SERIOUS INJURY** or **DEATH** may occur.

This equipment shall be installed in accordance with the current installation codes and applicable regulations which should be carefully followed in all cases. Authorities having jurisdiction should be consulted before installations are made.

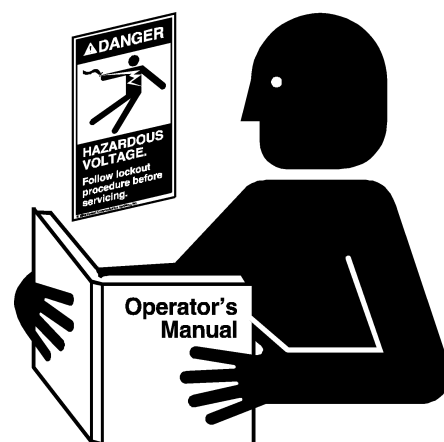
Follow Safety Instructions

Carefully read all safety messages in this manual and safety signs on your machine. Keep signs in good condition. Replace missing or damaged safety signs. Be sure new equipment components and repair parts include the current safety signs. Replacement safety signs are available from the manufacturer.

Learn how to operate the machine and how to use controls properly. Do not let anyone operate without instruction.

Keep your machinery in proper working condition. Unauthorized modifications to the machine may impair the function and/or safety and affect machine life.

If you do not understand any part of this manual or need assistance, contact your dealer.



Read and Understand Manual

Install and Operate Electrical Equipment Properly

Electrical controls should be installed by a qualified electrician and must meet the standards set by the National Electrical Code and all local and state codes.

Disconnect and lock out all power sources before installing wires/cables or servicing equipment.



Electric Shock Hazard

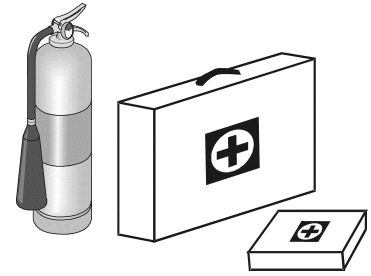
1. Safety

Prepare for Emergencies

Be prepared if fire starts.

Keep a first aid kit and fire extinguisher handy.

Keep emergency numbers for doctors, ambulance service, hospital and fire department near your telephone.



Keep Emergency Equipment Quickly Accessible

Wear Protective Clothing

Wear close fitting clothing and safety equipment appropriate to the job.

Remove all jewelry.

Long hair should be tied up and back.

Safety glasses should be worn at all times to protect eyes from debris.

Wear gloves to protect your hands from sharp edges on plastic or steel parts.

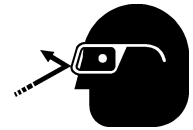
Wear steel toe boots to help protect your feet from falling debris. Tuck in any loose or dangling shoe strings.

A respirator may be needed to prevent breathing potentially toxic fumes and dust.

Wear hard hat to help protect your head.

Wear appropriate fall protection equipment when working at elevations greater than six feet (6').

Eye Protection



Gloves



Steel Toe Boots



Respirator



Hard Hat



Fall Protection



Before beginning installation, make sure power to the fan is OFF and lock out/tag out procedures are in place.

Step 1: Using the two (2) dimples as a template, drill out 3/8" holes on each side. (See Figure 2A.)

Step 2: Install the bracket AP-4545 using the provided hardware. (See Figure 2B.)

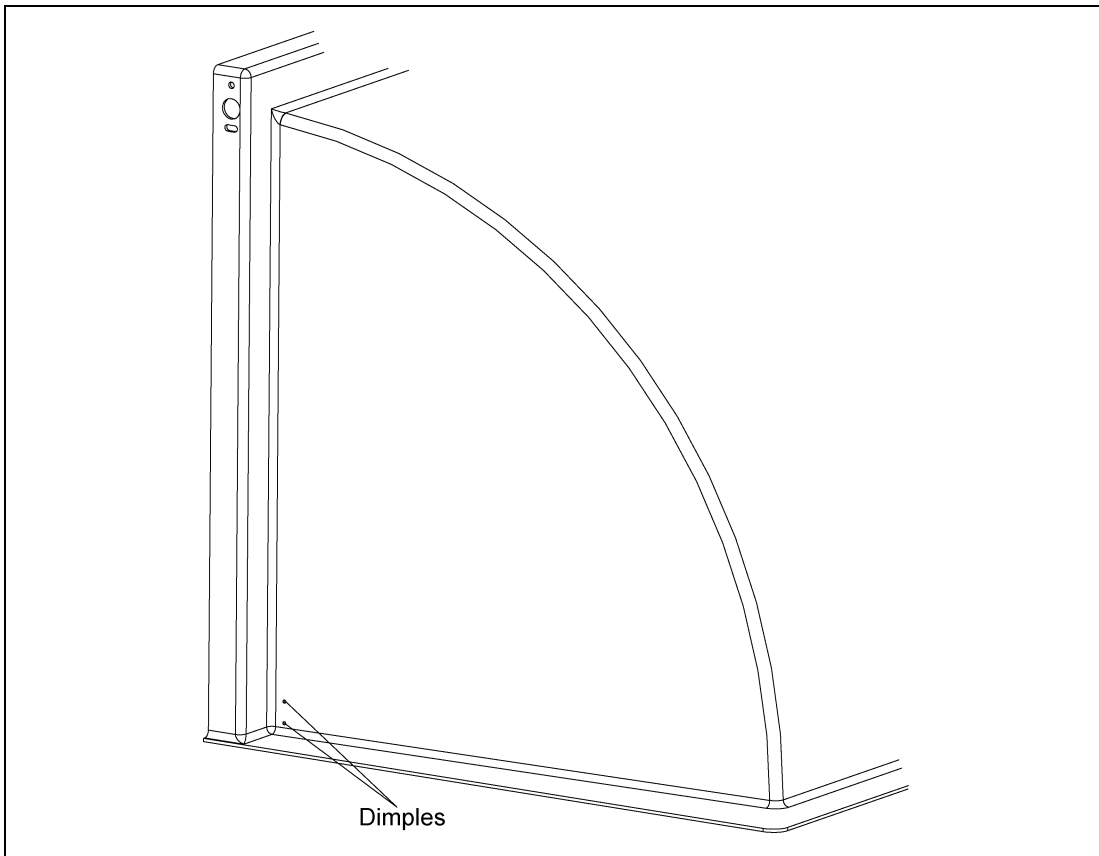


Figure 2A

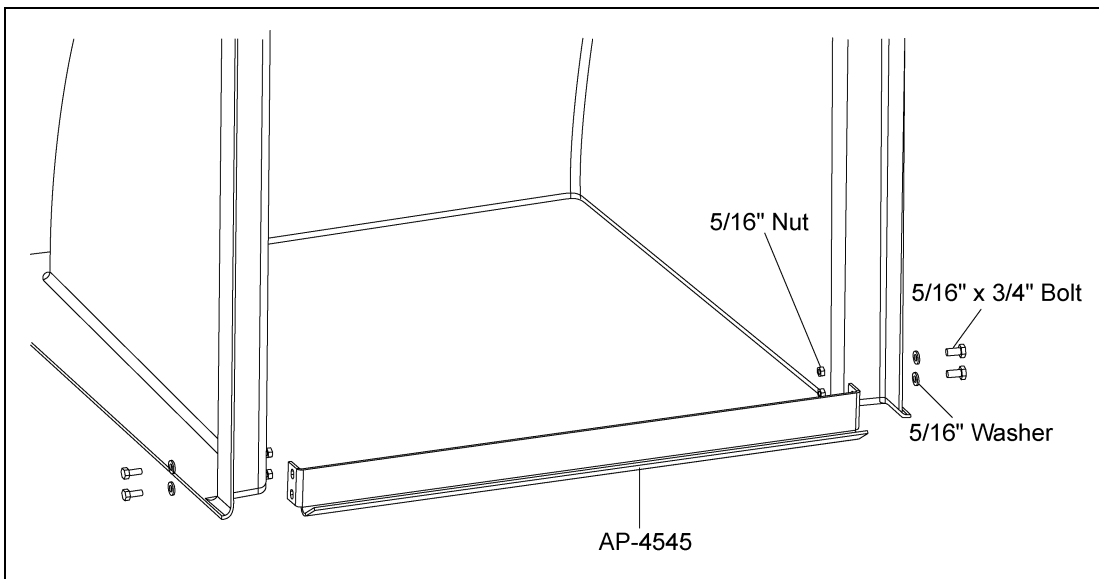


Figure 2B

2. Assembly

NOTE: Make a hole in the pit lid with the 31" x 31" dimension and then attach the fan transition to the pit lid (hardware not included) centering the transition over the hole. (See Figure 2C.)

NOTE: The connection between the transition and the pit lid needs to be an air tight connection.

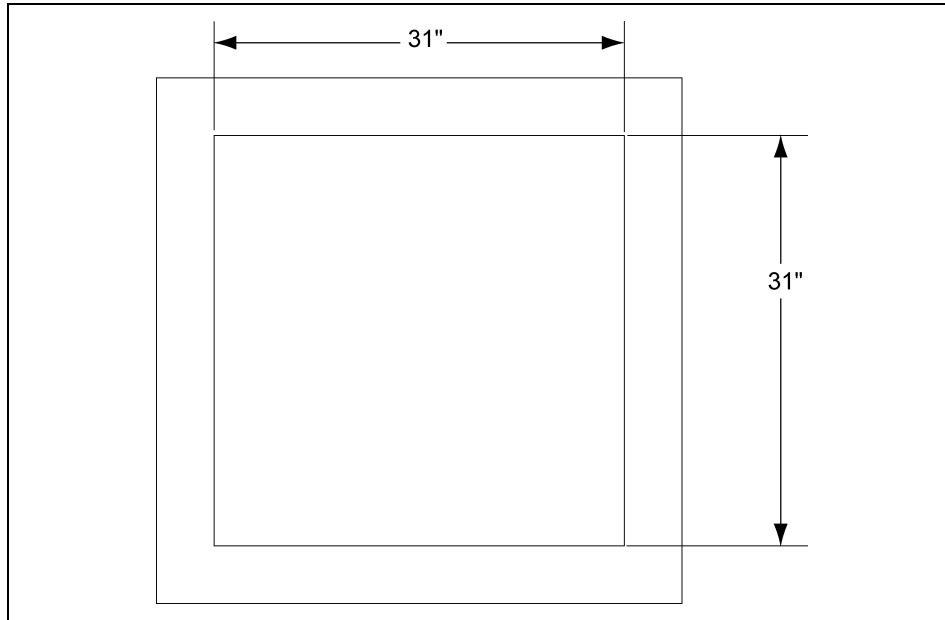


Figure 2C

Step 3: Install the brackets AP-4402 and AP-4385 using the provided hardware. (See Figure 2D below and Figure 2E on Page 9.)

NOTE: The holes on the bottom of AP-4402 and AP-4385 as well as the holes on the transition are slotted to allow final adjustments to ensure a tight fit between the fan housing and transition.

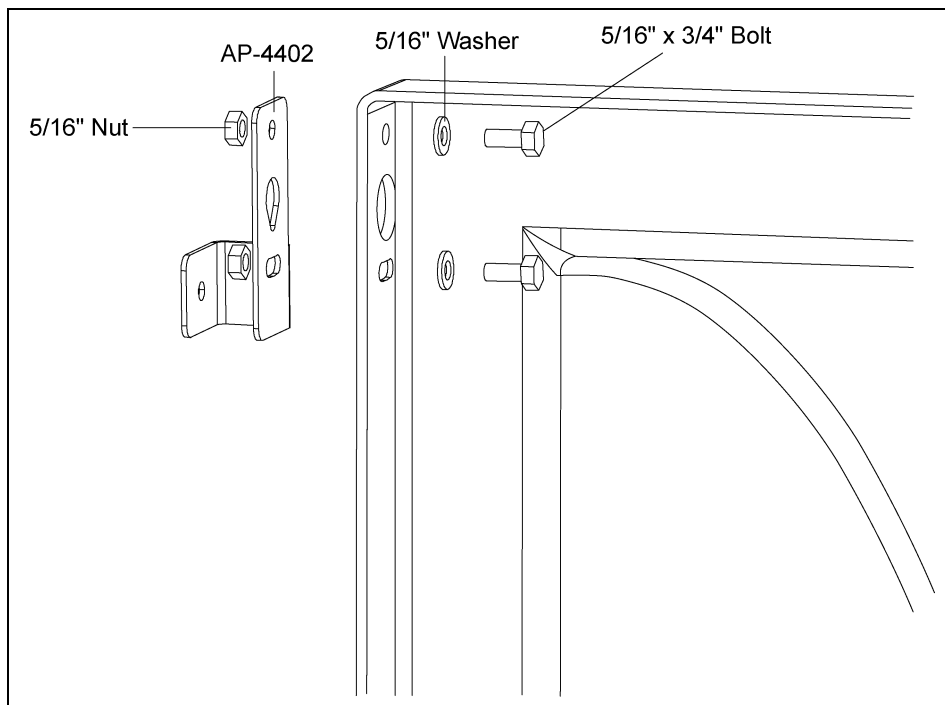


Figure 2D

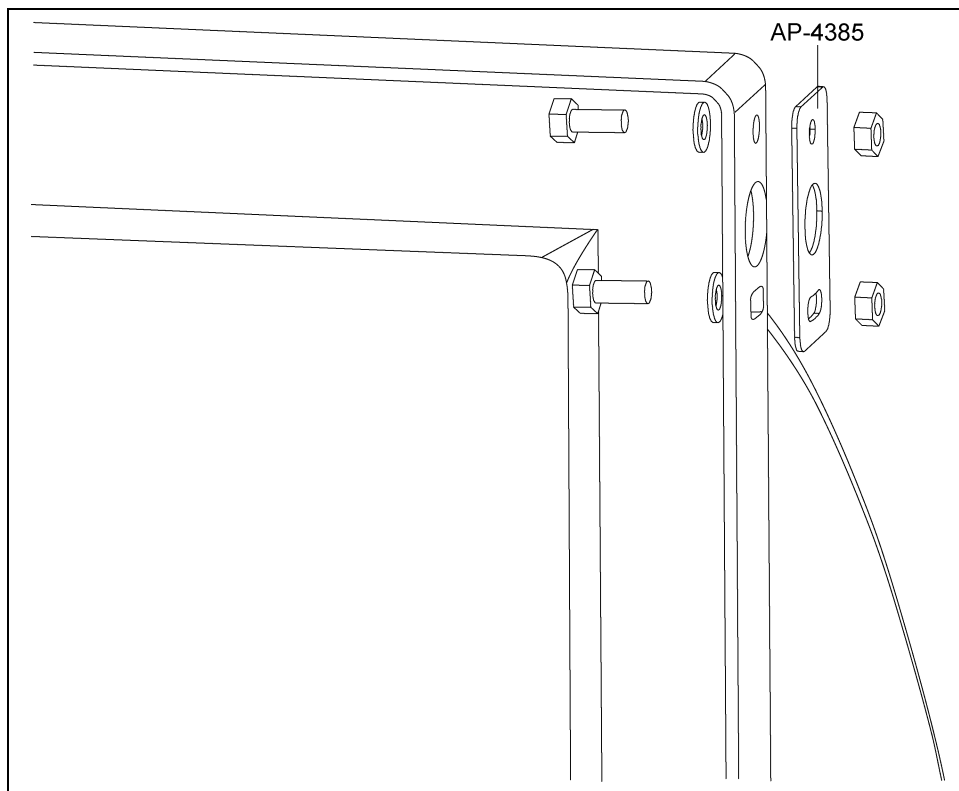


Figure 2E

Step 4: Insert the bottom flange of the fan into the channel of the bracket AP-4545. (See Figure 2F.)

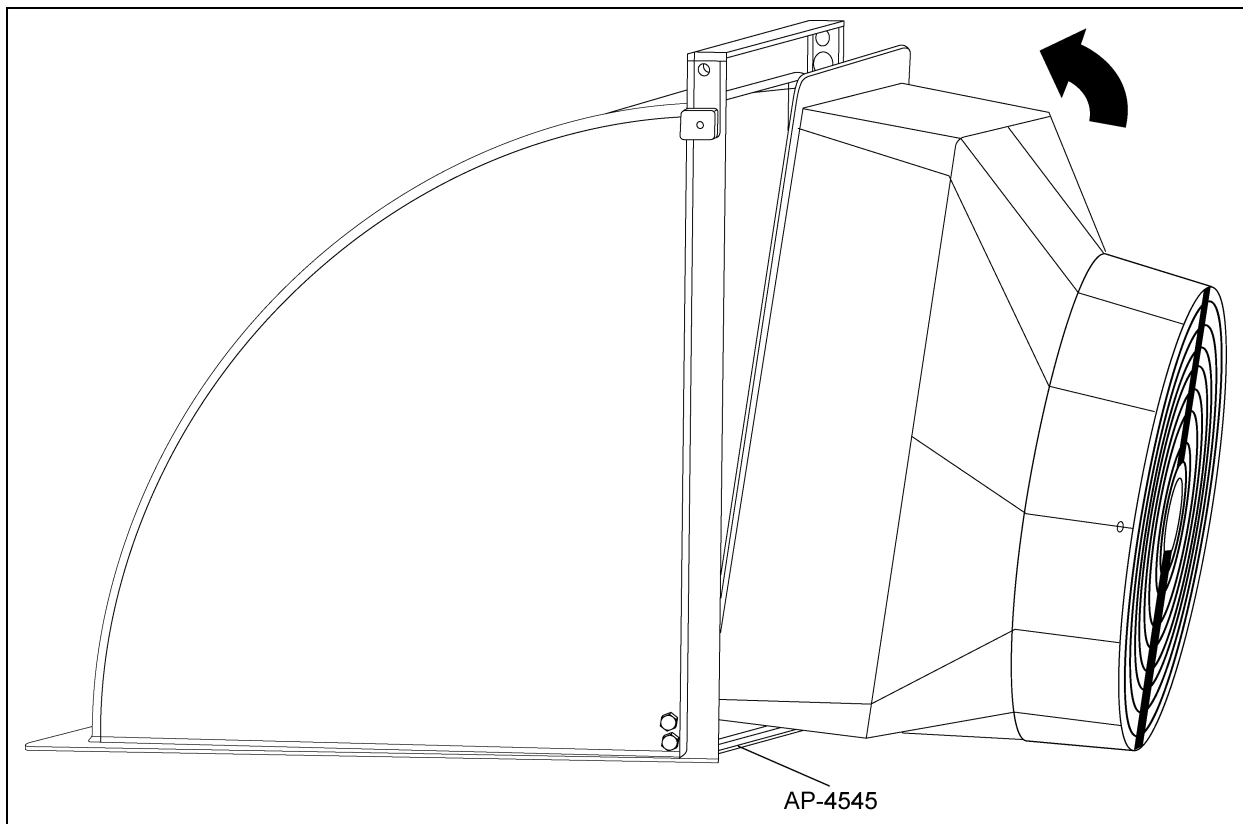


Figure 2F

2. Assembly

Step 5: While holding the fan tight against the transition, insert the handle/rod Assembly AP-4403-GY into the brackets previously installed. When the handle is completely through the brackets, turn the handle to lock the fan in place. Insert the provided hardware through the handle and bracket AP-4402 to lock the handle in place. (See [Figure 2G](#) and [Figure 2H](#).)

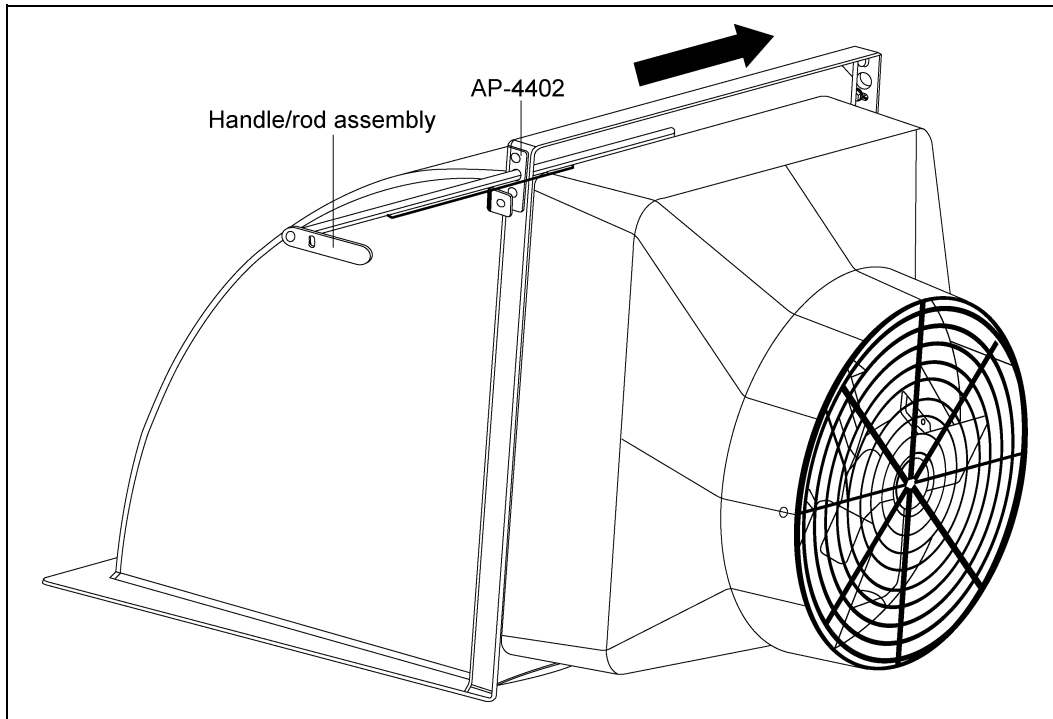


Figure 2G

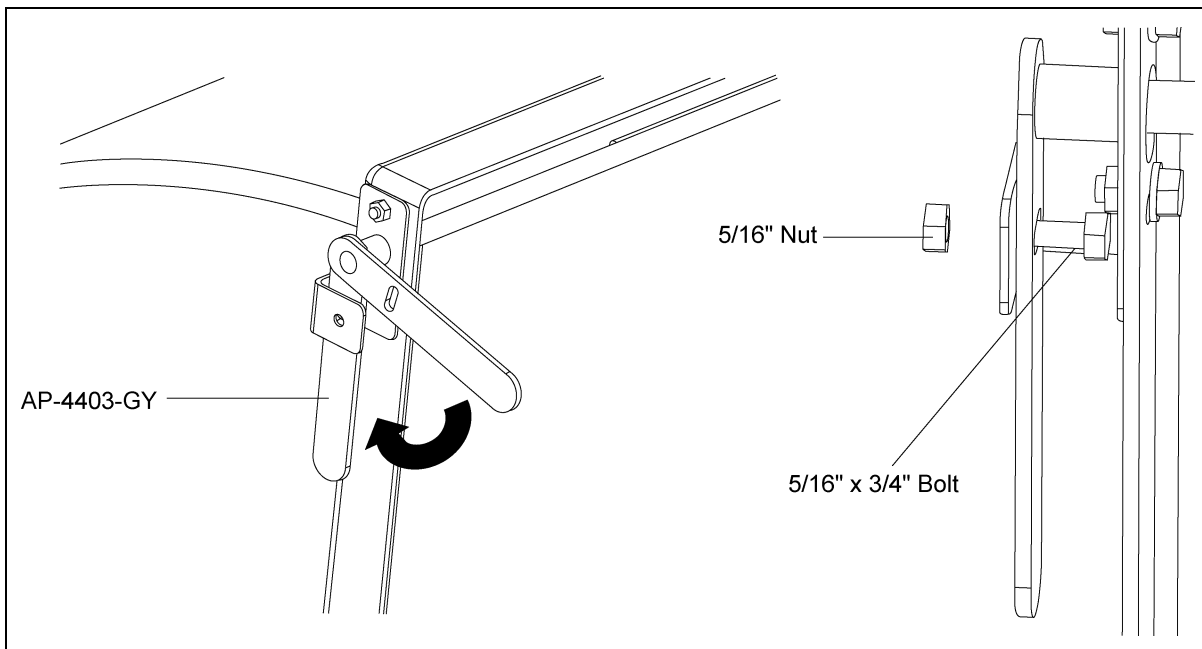


Figure 2H



Pinch Point. Be careful when rotating handle to not pinch finger/hand in the process.

Complete Assembly Views

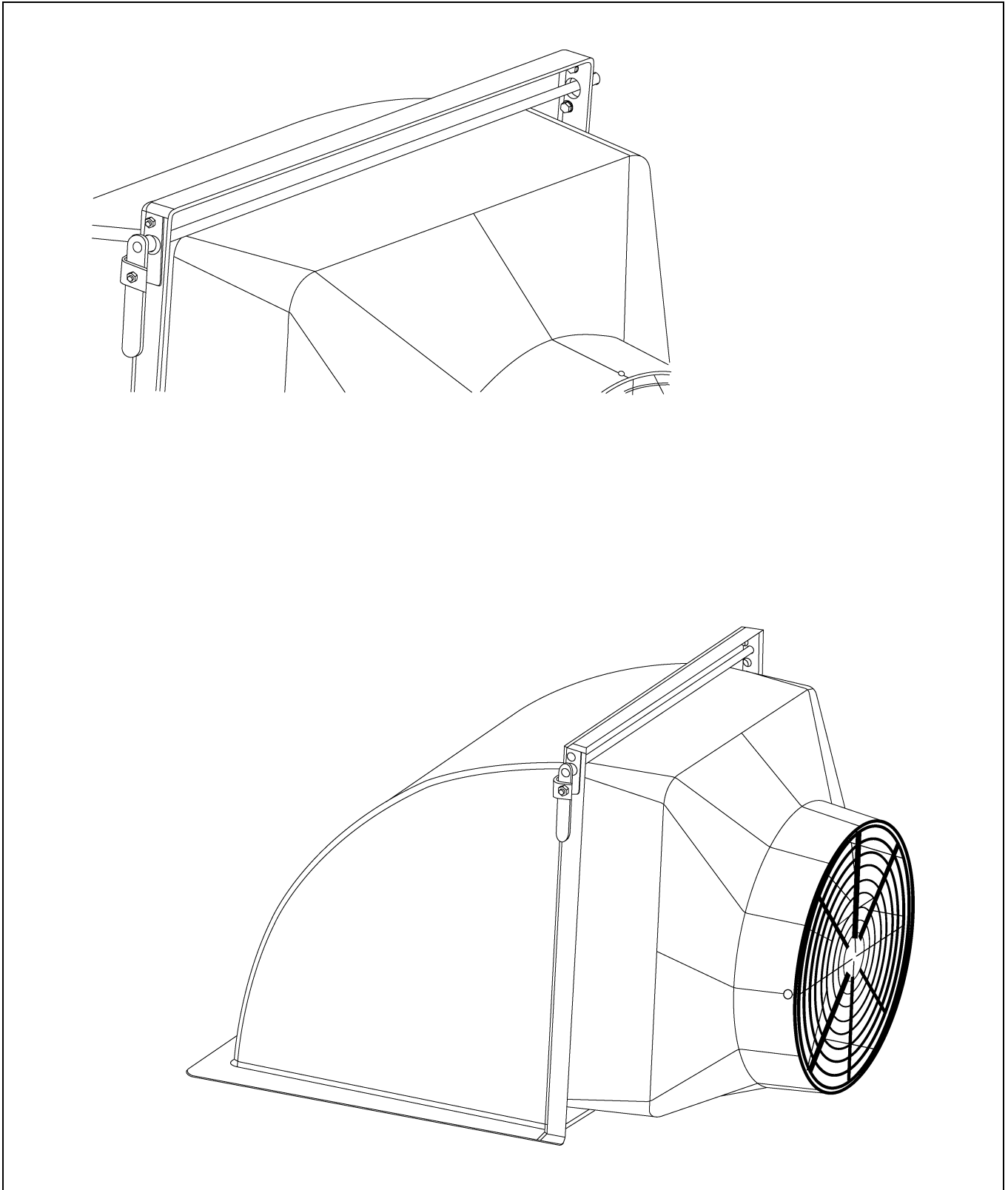
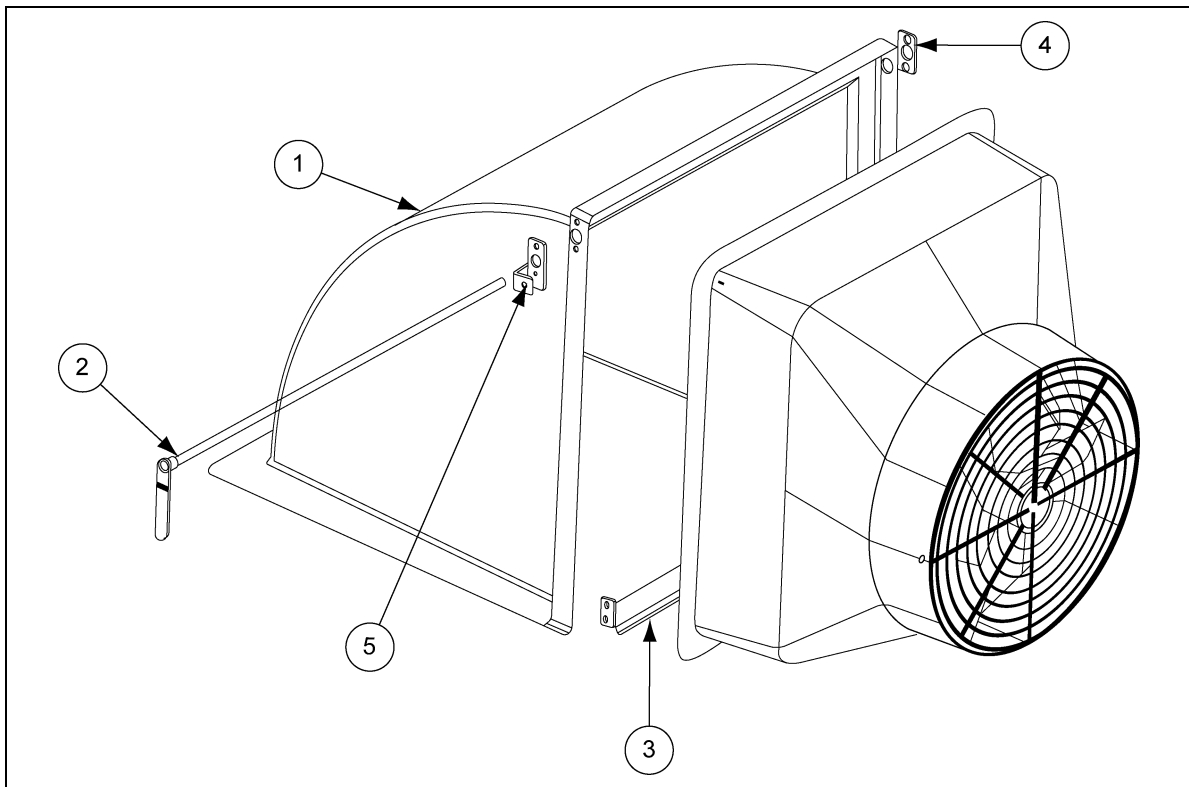


Figure 2I

3. Parts List



Ref #	Part #	Description	Qty
1	12-0240	Fan Transition	
	AP-4568	Quick Lock Kit for 24" Pit Fan Transition	
2	AP-4403-GY	Handle/Rod Weldment Painted Grey	1
	AP-4403	Handle/Rod Weldment	1
	AP-4381	Spacer for 24" Pit Fan Transition	1
	AP-4382	Rod Handle for 24" Pit Fan Transition	1
	AP-4383	Rod (1/4") for 24" Pit Fan Transition	1
	AP-4384	Rod (5/8") for 24" Pit Fan Transition	1
3	AP-4545	Channel for 24" Pit Fan Transition	1
4	AP-4385	Plate for 24" Pit Fan Transition	1
5	AP-4402	Plate w/ Lock for 24" Pit Fan Transition	1
	AP-4569	Hardware Kit for 24" Pit Fan Transition	1
	S-7005	Flat Washer 5/16" SS	8
	S-9043	Bolt, HHCS 5/16"-18 x 3/4" SS	9
	S-8452	Flange Nut 5/16"-18 SS Waxed	9
	PNEG-1607	Manual for 24" Pit Fan Transition Quick Lock Kit	1

GSI Group, LLC Limited Warranty

The GSI Group, LLC ("GSI") warrants products which it manufactures to be free of defects in materials and workmanship under normal usage and conditions for a period of 12 months after sale to the original end-user or if a foreign sale, 14 months from arrival at port of discharge, whichever is earlier. The end-user's sole remedy (and GSI's only obligation) is to repair or replace, at GSI's option and expense, products that in GSI's judgment, contain a material defect in materials or workmanship. Expenses incurred by or on behalf of the end-user without prior written authorization from the GSI Warranty Group shall be the sole responsibility of the end-user.

Warranty Extensions:

The Limited Warranty period is extended for the following products:

	Product	Warranty Period	
AP Fans and Flooring	Performer Series Direct Drive Fan Motor	3 Years	* Warranty prorated from list price: 0 to 3 years - no cost to end-user 3 to 5 years - end-user pays 25% 5 to 7 years - end-user pays 50% 7 to 10 years - end-user pays 75%
	All Fiberglass Housings	Lifetime	
	All Fiberglass Propellers	Lifetime	
AP and Cumberland	Flex-Flo/Pan Feeding System Motors	2 Years	
Cumberland Feeding/Watering Systems	Feeder System Pan Assemblies	5 Years **	** Warranty prorated from list price: 0 to 3 years - no cost to end-user 3 to 5 years - end-user pays 50%
	Feed Tubes (1-3/4" and 2.00")	10 Years *	
	Centerless Augers	10 Years *	
	Watering Nipples	10 Years *	
Grain Systems	Grain Bin Structural Design	5 Years	
Grain Systems Farm Fans Zimmerman	Portable and Tower Dryers	2 Years	† Motors, burner components and moving parts not included. Portable dryer screens included. Tower dryer screens not included.
	Portable and Tower Dryer Frames and Internal Infrastructure †	5 Years	

GSI further warrants that the portable and tower dryer frame and basket, excluding all auger and auger drive components, shall be free from defects in materials for a period of time beginning on the twelfth (12th) month from the date of purchase and continuing until the sixtieth (60th) month from the date of purchase (extended warranty period). During the extended warranty period, GSI will replace the frame or basket components that prove to be defective under normal conditions of use without charge, excluding the labor, transportation, and/or shipping costs incurred in the performance of this extended warranty.

Conditions and Limitations:

THERE ARE NO WARRANTIES THAT EXTEND BEYOND THE LIMITED WARRANTY DESCRIPTION SET FORTH ABOVE. SPECIFICALLY, GSI MAKES NO FURTHER WARRANTY OF ANY KIND, EXPRESS OR IMPLIED, INCLUDING, WITHOUT LIMITATION, WARRANTIES OF MERCHANTABILITY OR FITNESS FOR A PARTICULAR PURPOSE OR USE IN CONNECTION WITH: (I) PRODUCT MANUFACTURED OR SOLD BY GSI OR (II) ANY ADVICE, INSTRUCTION, RECOMMENDATION OR SUGGESTION PROVIDED BY AN AGENT, REPRESENTATIVE OR EMPLOYEE OF GSI REGARDING OR RELATED TO THE CONFIGURATION, INSTALLATION, LAYOUT, SUITABILITY FOR A PARTICULAR PURPOSE, OR DESIGN OF SUCH PRODUCTS.

GSI shall not be liable for any direct, indirect, incidental or consequential damages, including, without limitation, loss of anticipated profits or benefits. The sole and exclusive remedy is set forth in the Limited Warranty, which shall not exceed the amount paid for the product purchased. This warranty is not transferable and applies only to the original end-user. GSI shall have no obligation or responsibility for any representations or warranties made by or on behalf of any dealer, agent or distributor.

GSI assumes no responsibility for claims resulting from construction defects or unauthorized modifications to products which it manufactured. Modifications to products not specifically delineated in the manual accompanying the equipment at initial sale will void the Limited Warranty.

This Limited Warranty shall not extend to products or parts which have been damaged by negligent use, misuse, alteration, accident or which have been improperly/inadequately maintained. This Limited Warranty extends solely to products manufactured by GSI.

Prior to installation, the end-user has the responsibility to comply with federal, state and local codes which apply to the location and installation of products manufactured or sold by GSI.

This equipment shall be installed in accordance with the current installation codes and applicable regulations, which should be carefully followed in all cases. Authorities having jurisdiction should be consulted before installations are made.



**1004 E. Illinois St.
Assumption, IL 62510-0020
Phone: 1-217-226-4421
Fax: 1-217-226-4420
www.gsiag.com**



AP is a part of GSI, a worldwide brand of AGCO Corporation