

# Adjust-A-Baffle™

## Installation Manual

PNEG-453

Version: 3.0

Date: 02-07-20



# Adjust-A-Baffle™ Installation

## SAFETY FIRST

### General Safety Statements

The GSI Group Inc's Principal concern is your safety and the safety of others associated with grain handling equipment. We want to keep you as a customer. This manual is to help you understand safe operating procedures and some problems which may be encountered by the operator and other personnel.

As owner and/or operator, it is your responsibility to know what requirements, hazards and precautions exist and inform all personnel associated with, or in the area of the Recirculating Cooling System. Safety precautions may be required from the personnel. Avoid any alteration to the equipment. Such alterations may produce a very dangerous situation, where serious injury or death may occur.



This is the safety alert symbol. It is used to alert you to potential personal injury hazards. Obey all safety messages that follow this symbol to avoid possible injury or death.



**DANGER**

DANGER indicates an imminently hazardous situation which, if not avoided, will result in death or serious injury



**WARNING**

WARNING indicates a potentially hazardous situation which, if not avoided, could result in death or serious injury.



**CAUTION**

CAUTION indicates a potentially hazardous situation which, if not avoided, may result in minor or moderate injury.

# CAUTION

CAUTION used without the safety alert symbol indicates a potentially hazardous situation which, if not avoided, may result in property damage.



### BE ALERT! Danger!

Personnel operating or working around electrical equipment should read this manual.

This manual must be delivered with equipment to its owner. Failure to read this manual and its safety instructions is a misuse of the equipment.

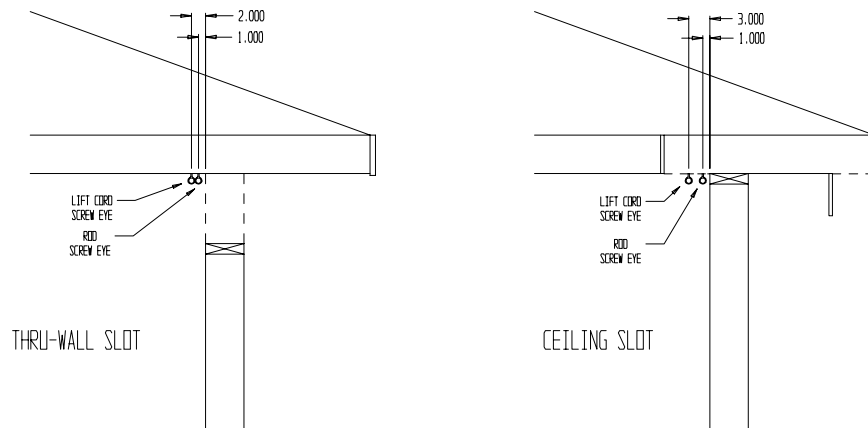
This product is intended for the use of evaporative cooling only. Any other use is a misuse of the product!

This product has sharp edges! These sharp edges may cause serious injury. To avoid injury handle sharp edges with caution and use proper protective clothing and equipment at all times.

The GSI Group Inc. recommends that you contact your local power company and have a representative review your installation so your wiring will be compatible with their system and so that you will have adequate power supplied to your unit.

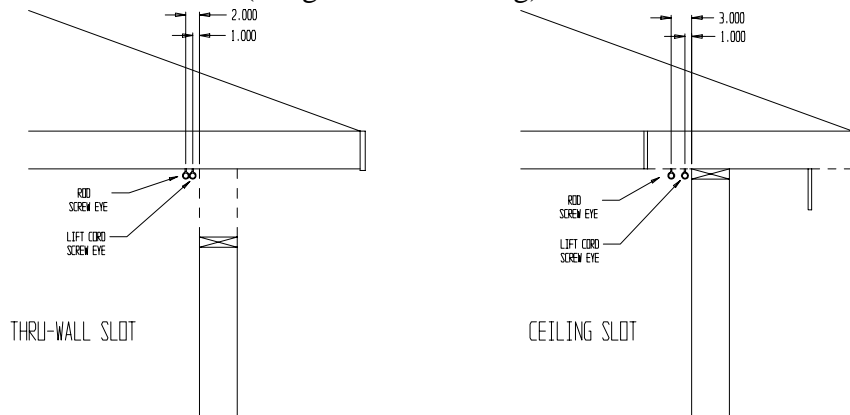
# Adjust-A-Baffle™ Installation

## Step 1 (Hinged on the wall)



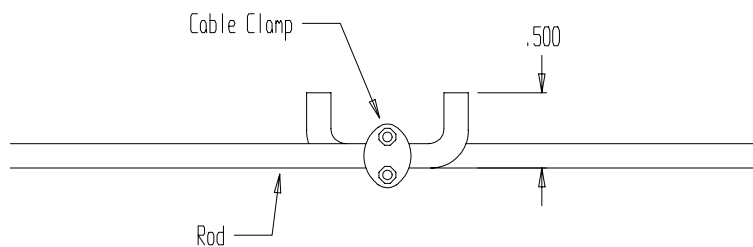
Run a chalk line and install eye screws (Provided) every four (4') feet on center.

## Step 1 (Hinged on the ceiling)



Run a chalk line and install eye screws (Provided) every four (4') feet on center.

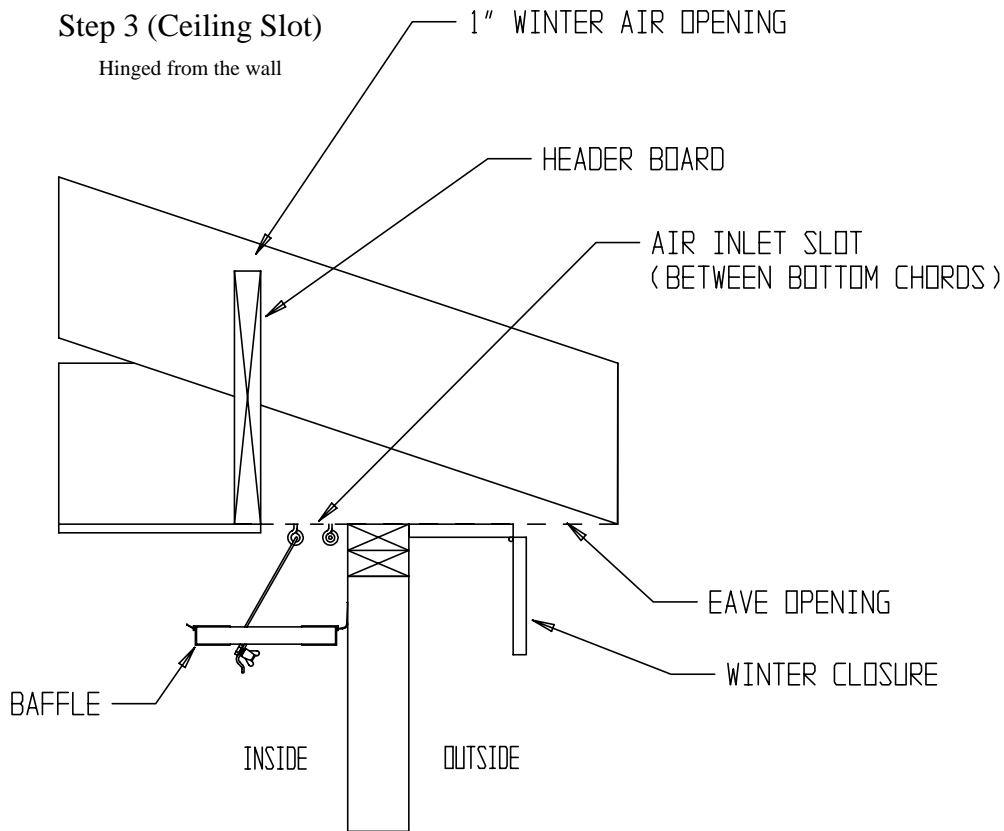
## Step 2



Install rod or cable in eye screws. Rod connections are made by sliding ends of the rod through cable clamp (Provided). Bend ends of rod ( $\frac{1}{2}$ " ) and tighten clamp.

**IMPORTANT:** Allow for free travel in both directions.

# Adjust-A-Baffle™ Installation



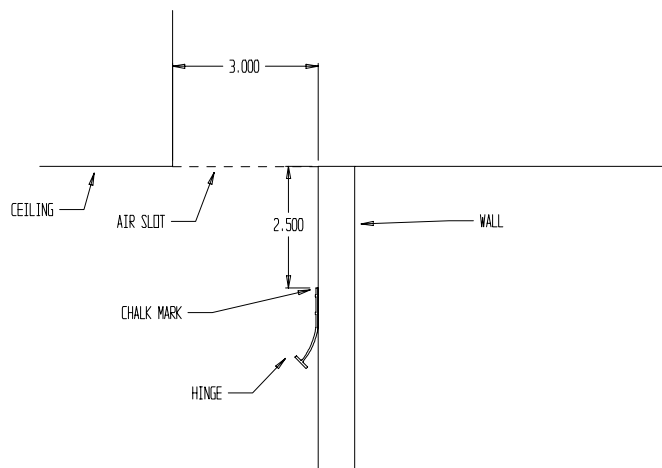
CEILING BAFFLE DETAIL  
Not To Scale

To determine distance from ceiling where hinge should be located, run a chalk line on the wall down from the ceiling ( $\frac{1}{2}$ " less distance than overall width of the slot opening.

### EXAMPLE

For a three (3") inch air intake slot, mark a chalk line two and one-half ( $2\frac{1}{2}$ ") inches down from the ceiling. Fasten the vinyl hinge to the wall.

Line up the flat edge of the hinge with the chalk mark as indicated. Leave ten (10') feet of hinge unfastened at one end of system. Cut and remove ten (10') foot section of hinge.

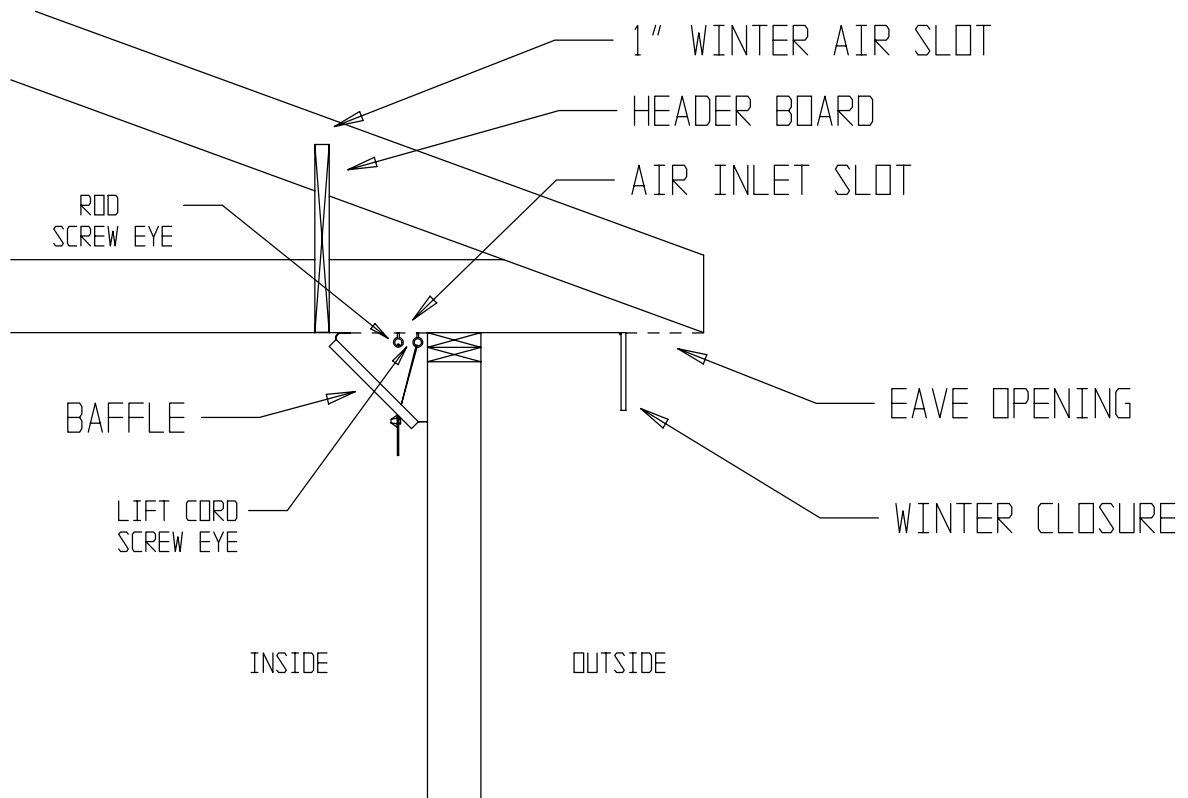


To fasten hinge, use large head nail or screw and washer. Fasten every six (6") inches. Locate fastener one-half ( $\frac{1}{2}$ ") inch from edge of hinge.

# Adjust-A-Baffle™ Installation

## Step 3 (Ceiling Slot)

Hinged from the ceiling



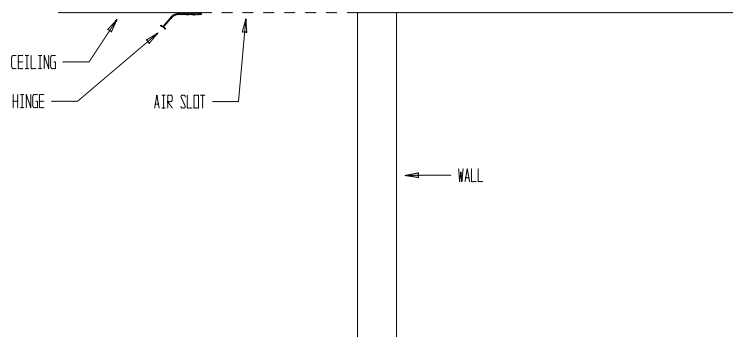
### CEILING BAFFLE DETAIL

Not To Scale

#### Reference Chart

- 8" Baffle - 5½"
- 12" Baffle - 8"
- 16" Baffle - 10½"
- 20" Baffle - 13"

To Fasten Hinge, Use large head nail or screw and washer. Fasten every six (6") inches. Locate fastener one-half (½") inch from edge of hinge.

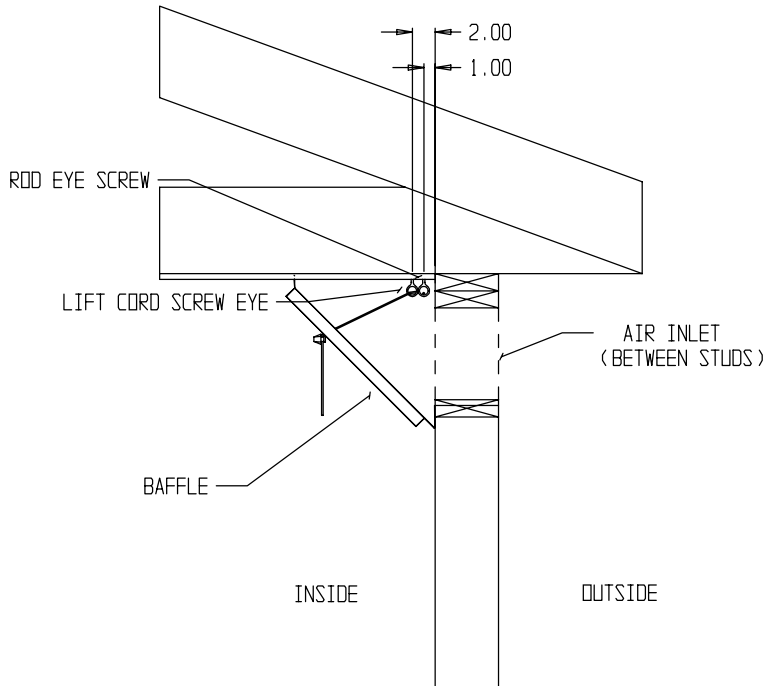


To determine distance from wall where the hinge should be located - Baffle (In the fully closed position), should be at an approximate 45° angle as indicated. Use chart to determine distance from the wall where the hinge should be located. Run a chalk line at appropriate location and line up the flat edge of the hinge with the chalk mark as indicated. Leave ten (10') feet of hinge unfastened at one end of system. Cut and remove ten (10') foot section of hinge.

# Adjust-A-Baffle™ Installation

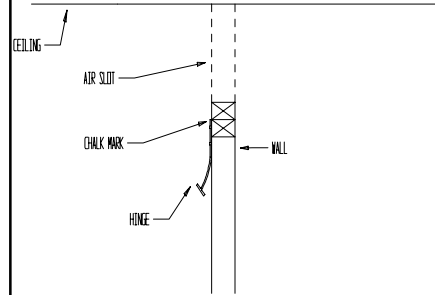
## Step 3 (Wall Slot)

Hinged from the wall



WALL INLET BAFFLE DETAIL

Not To Scale



### Reference Chart

8" Baffle - 5½"

12" Baffle - 8"

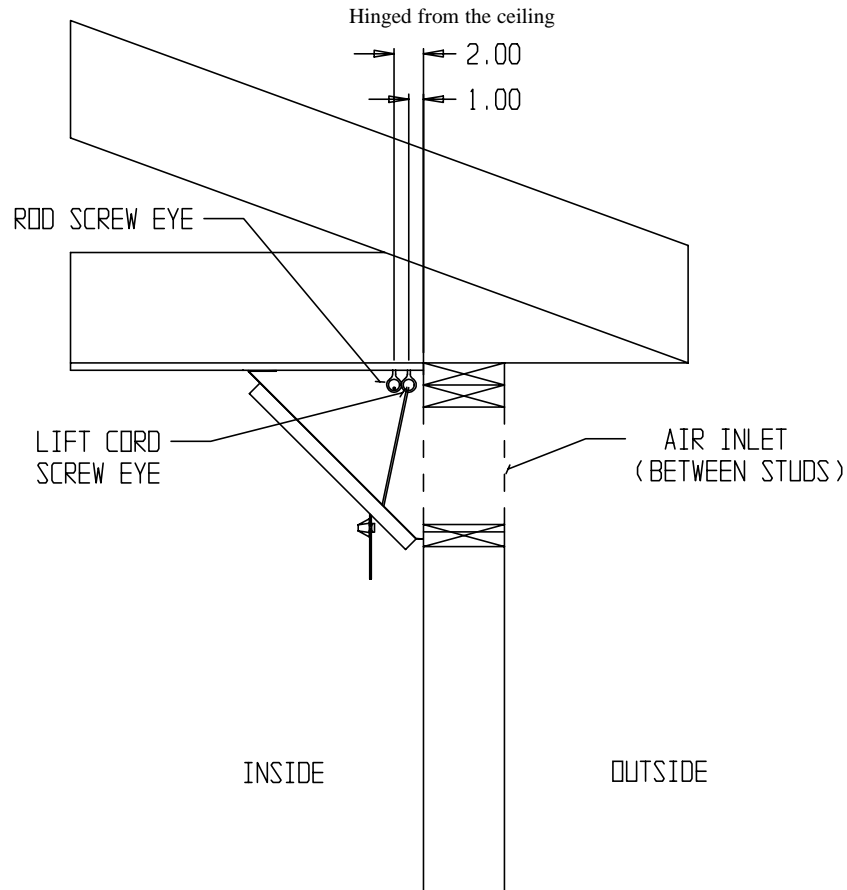
16" Baffle - 10½"

20" Baffle - 13"

To Fasten Hinge, Use large head nail or screw and washer. Fasten every six (6") inches. Locate fastener one-half (½") inch from edge of hinge.

To determine distance from ceiling where the hinge should be located - Baffle (In the fully closed position), should be at an approximate 45° angle as indicated. Use chart to determine distance from the ceiling where the hinge should be located. Run a chalk line at appropriate location and line up the flat edge of the hinge with the chalk mark as indicated. Leave ten (10') feet of hinge unfastened at one end of system. Cut and remove ten (10') foot section of hinge.

## Step 3 (Wall Slot)



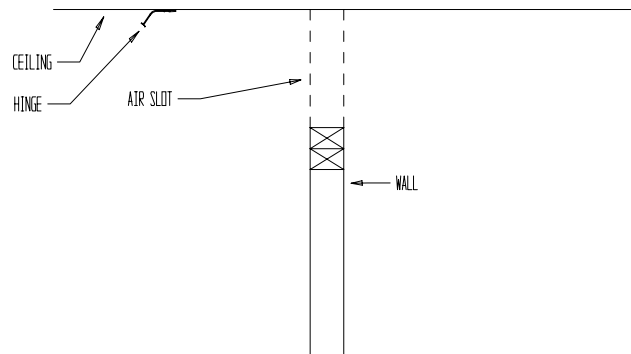
WALL INLET BAFFLE DETAIL

To determine distance from wall where hinge should be located, run a chalk line on the ceiling from the wall ( $\frac{1}{2}$ " ) less distance than overall width of the slot opening.

### EXAMPLE

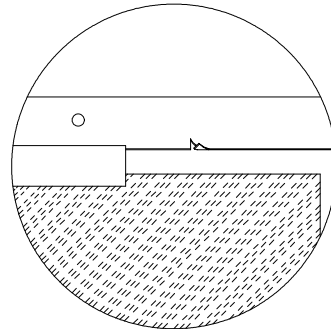
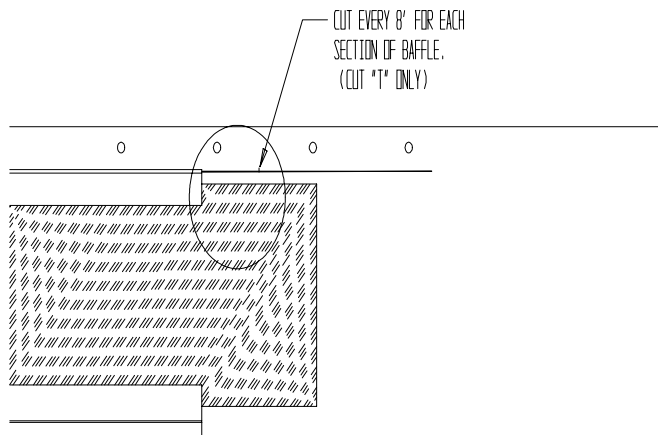
For a three (3") inch air intake slot, mark a chalk line two and one-half ( $2\frac{1}{2}$ " ) inches over from the wall. Fasten the vinyl hinge to the ceiling.

Line up the flat edge of the hinge with the chalk mark as indicated. Leave ten (10') feet of hinge unfastened at one end of system. Cut and remove ten (10') foot section of hinge.



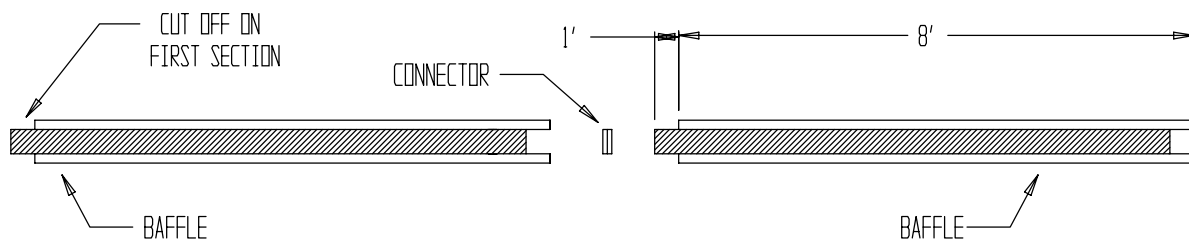
# Adjust-A-Baffle™ Installation

## Step 4



Starting nine (9') feet from end of hinge, cut a (1/4") notch in "T" section of the hinge. Cut every 8' for each section of baffle. This will allow for ease of installation. A soapy water solution will assist in sliding baffle onto the "T" section of the hinge.

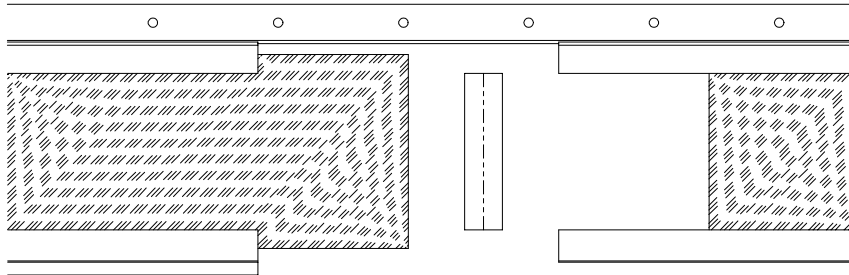
## Step 5



Cut off the one(1') foot section of baffle insulation board extending past the plastic extrusion of the first section of baffle panel only. Save this section for the last section installed if required. Slide the first section onto the hinge at the first notch nine (9') feet from the end of the hinge.



## Step 6

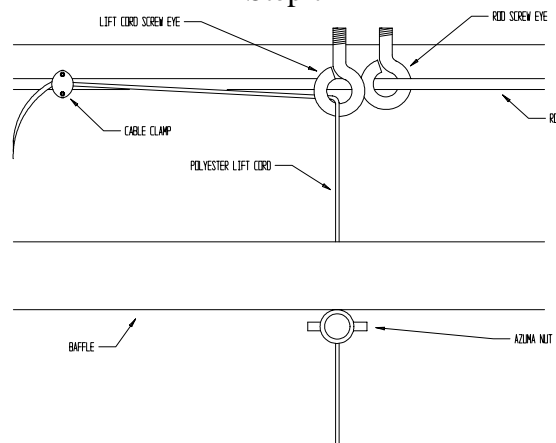


Starting at the second notch in the "T" section of the hinge, slide the second panel onto the hinge. Place a baffle panel connector between each section and allow for expansion by leaving a ¼" space between panels. Repeat this process up to the last section of panel where there is no hinge installed.

The last section of baffle will require the hinge to be inserted onto baffle panel and fastened to the wall. If a full section is needed, insert baffle insulation board previously cut and removed from first section installed. If less than a full section required, cut baffle panel to accommodate space requirement.

Using a soapy water solution, slide the weatherstrip onto the baffle panel plastic extrusion.

## Step 7



Polyester lift cord should angle up from the baffle to the screw eye at a 40°-45° angle when in fully closed position. This will determine where to drill a 3/16" hole through the baffle panel for the lift cord connection. Drill the holes every four (4') feet in line with the lift cord screw eye. Reference Step 1 & 3 for typical installation location. Insert cord as indicated.

**IMPORTANT: DO NOT RUN THE CORD THROUGH THE ROD OR CABLE SCREW EYE. ALLOW ADEQUATE TRAVEL IN BOTH DIRECTIONS.**



# Limited Warranty - Protein Products

The GSI Group, LLC. ("GSI") warrants products which it manufactures, to be free of defects in materials and workmanship under normal usage and conditions for a period of 12 months from the date of purchase (or, if shipped by vessel, 14 months from the date of arrival at the port of discharge). If, in GSI's sole judgment, a product is found to have a defect in materials and/or workmanship, GSI will, at its own option and expense, repair or replace the product or refund the purchase price. This Limited Warranty is subject to extension and other terms as set forth below.

## Warranty Enhancements:

The warranty period for the following products is enhanced as shown below and is in lieu of (and not in addition to) the above stated warranty period.

	Product	Warranty Period
<b>AP® Fans</b>	Performer Series Direct Drive Fan Motor	3 Years
<b>AP® and Cumberland®</b>	Flex-Flo/Pan Feeding System Motors	2 Years
<b>Electronic Controls</b>	All Protein controls manufactured by GSI	24 Months from date code on part
<b>Cumberland® Feeding and Watering Systems</b>	Feeder System Pan Assemblies	5 Years, prorated **
	Feed Tubes (1.75" and 2.00")	10 Years, prorated *
	Centerless Augers	10 Years, prorated *
	Watering Nipples	10 Years, prorated *

\* Warranty prorated from material list price:  
 0 to 3 years - no material cost to end user  
 3 to 5 years - end user pays 25%  
 5 to 7 years - end user pays 50%  
 7 to 10 years - end user pays 75%

\*\* Warranty prorated from material list price:  
 0 to 3 years - no material cost to end user  
 3 to 5 years - end user pays 75%

## Conditions and Limitations:

THERE ARE NO WARRANTIES THAT EXTEND BEYOND THE LIMITED WARRANTY DESCRIPTION SET FORTH HEREIN; SPECIFICALLY, GSI DISCLAIMS ANY AND ALL OTHER WARRANTIES OF ANY KIND, EXPRESS OR IMPLIED, INCLUDING, WITHOUT LIMITATION, WARRANTIES OF MERCHANTABILITY OR FITNESS FOR A PARTICULAR PURPOSE OR USE IN CONNECTION WITH: (I) ANY PRODUCT MANUFACTURED OR SOLD BY GSI, OR (II) ANY ADVICE, INSTRUCTION, RECOMMENDATION OR SUGGESTION PROVIDED BY AN AGENT, REPRESENTATIVE OR EMPLOYEE OF GSI REGARDING OR RELATED TO THE CONFIGURATION, INSTALLATION, LAYOUT, SUITABILITY FOR A PARTICULAR PURPOSE, OR DESIGN OF SUCH PRODUCTS.

The sole and exclusive remedy for any claimant is set forth in this Limited Warranty and shall not exceed the amount paid for the product purchased. This Warranty only covers the value of the warranted parts and equipment, and does not cover labor charges for removing or installing defective parts, shipping charges with respect to such parts, any applicable sales or other taxes, or any other charges or expenses not specified in this Warranty. GSI shall not be liable for any other direct, indirect, incidental or consequential damages, including, without limitation, loss of anticipated profits or benefits. Expenses incurred by or on behalf of a claimant without prior written authorization from the GSI warranty department shall not be reimbursed. This warranty is not transferable and applies only to the original end user. GSI shall have no obligation or responsibility for any representations or warranties made by or on behalf of any dealer, agent or distributor. Prior to installation, the end user bears all responsibility to comply with federal, state and local codes which apply to the location and installation of the products.

This Limited Warranty extends solely to products sold by GSI and does not cover any parts, components or materials used in conjunction with the product, that are not sold by GSI. GSI assumes no responsibility for claims resulting from construction defects, unauthorized modifications, corrosion or other cosmetic issues caused by storage, application or environmental conditions. Modifications to products not specifically delineated in the manual accompanying the product at initial sale will void all warranties. This Limited Warranty shall not extend to products or parts which have been damaged by negligent use, misuse, alteration, accident or which have been improperly/inadequately maintained.

## Service Parts:

GSI warrants, subject to all other conditions described in this Warranty, Service Parts which it manufactures for a period of 12 months from the date of purchase, unless specified in Enhancements above. Parts not manufactured by GSI will carry the Manufacturer's Warranty.

This equipment shall be installed in accordance with the current installation codes and applicable regulations, which should be carefully followed in all cases. Authorities having jurisdiction should be consulted before installations are made.



**1004 E. Illinois St.  
Assumption, IL 62510-0020  
Phone: 1-217-226-4421  
Fax: 1-217-226-4420  
[www.automatedproduction.com](http://www.automatedproduction.com)**

