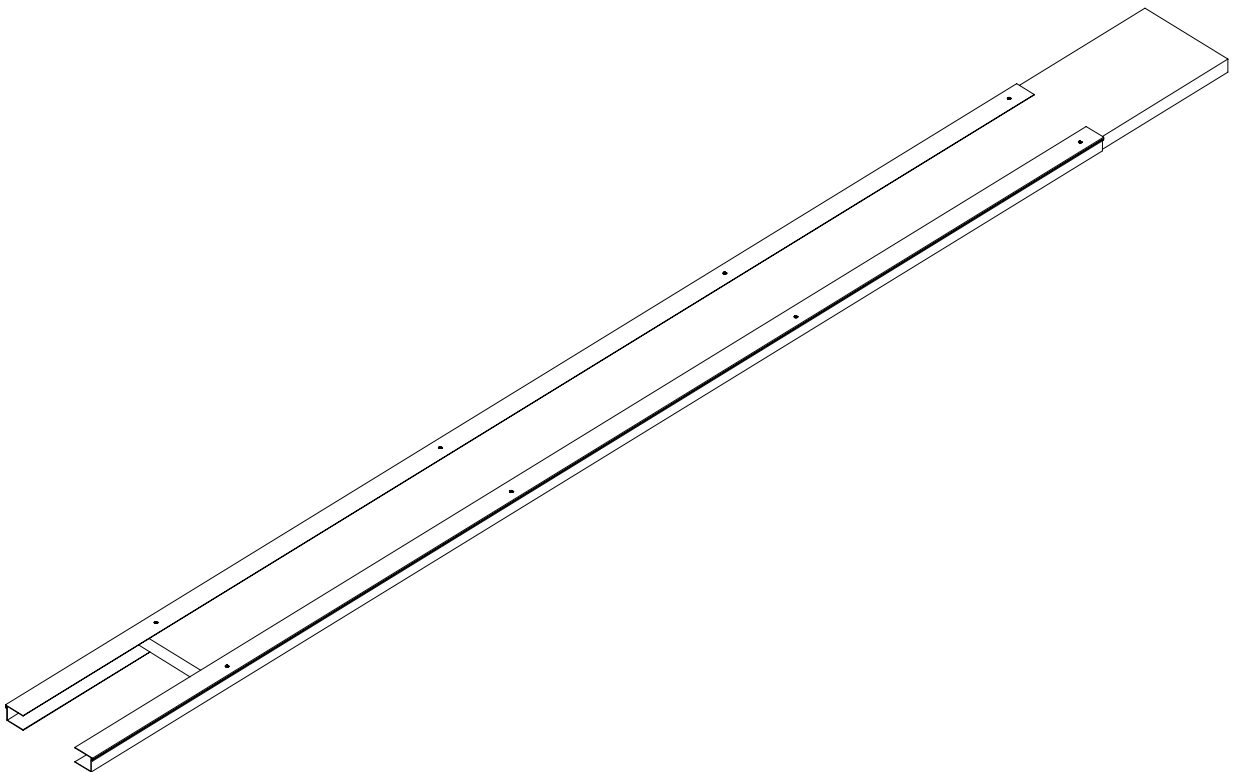




Adjust-A-Baffle Installation Guide



THE GSI GROUP



PNEG-453

Revised 08/01

Adjust-A-Baffle™ Installation

SAFETY FIRST

General Safety Statements

The GSI Group Inc's Principal concern is your safety and the safety of others associated with grain handling equipment. We want to keep you as a customer. This manual is to help you understand safe operating procedures and some problems which may be encountered by the operator and other personnel.

As owner and/or operator, it is your responsibility to know what requirements, hazards and precautions exist and inform all personnel associated with, or in the area of the Recirculating Cooling System. Safety precautions may be required from the personnel. Avoid any alteration to the equipment. Such alterations may produce a very dangerous situation, where serious injury or death may occur.



This is the safety alert symbol. It is used to alert you to potential personal injury hazards. Obey all safety messages that follow this symbol to avoid possible injury or death.



DANGER

DANGER indicates an imminently hazardous situation which, if not avoided, will result in death or serious injury



WARNING

WARNING indicates a potentially hazardous situation which, if not avoided, could result in death or serious injury.



CAUTION

CAUTION indicates a potentially hazardous situation which, if not avoided, may result in minor or moderate injury.

CAUTION

CAUTION used without the safety alert symbol indicates a potentially hazardous situation which, if not avoided, may result in property damage.



BE ALERT! Danger!

Personnel operating or working around electrical equipment should read this manual.

This manual must be delivered with equipment to its owner. Failure to read this manual and its safety instructions is a misuse of the equipment.

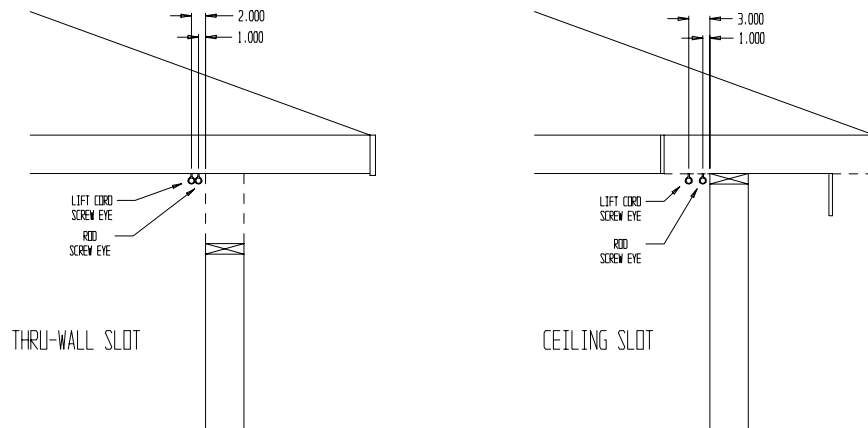
This product is intended for the use of evaporative cooling only. Any other use is a misuse of the product!

This product has sharp edges! These sharp edges may cause serious injury. To avoid injury handle sharp edges with caution and use proper protective clothing and equipment at all times.

The GSI Group Inc. recommends that you contact your local power company and have a representative review your installation so your wiring will be compatible with their system and so that you will have adequate power supplied to your unit.

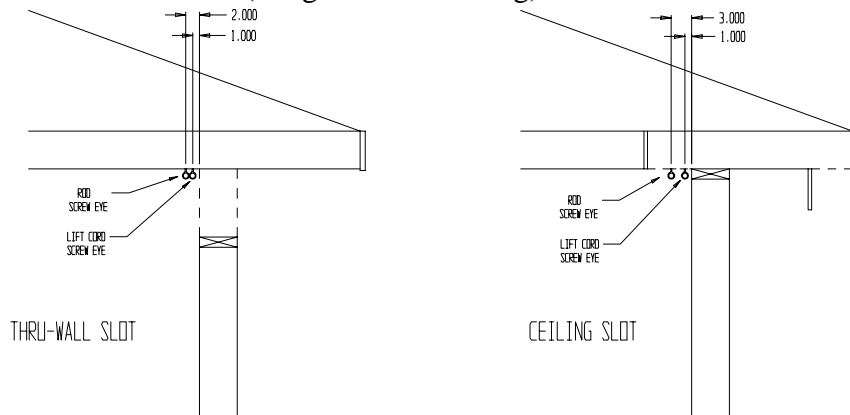
Adjust-A-Baffle™ Installation

Step 1 (Hinged on the wall)



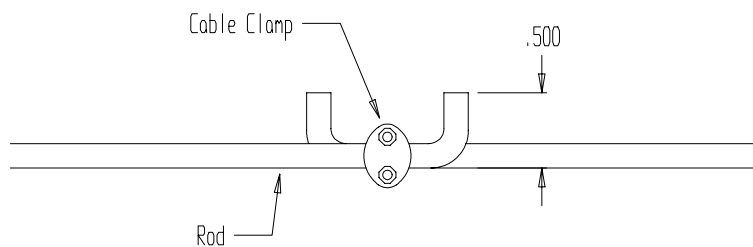
Run a chalk line and install eye screws (Provided) every four (4') feet on center.

Step 1 (Hinged on the ceiling)



Run a chalk line and install eye screws (Provided) every four (4') feet on center.

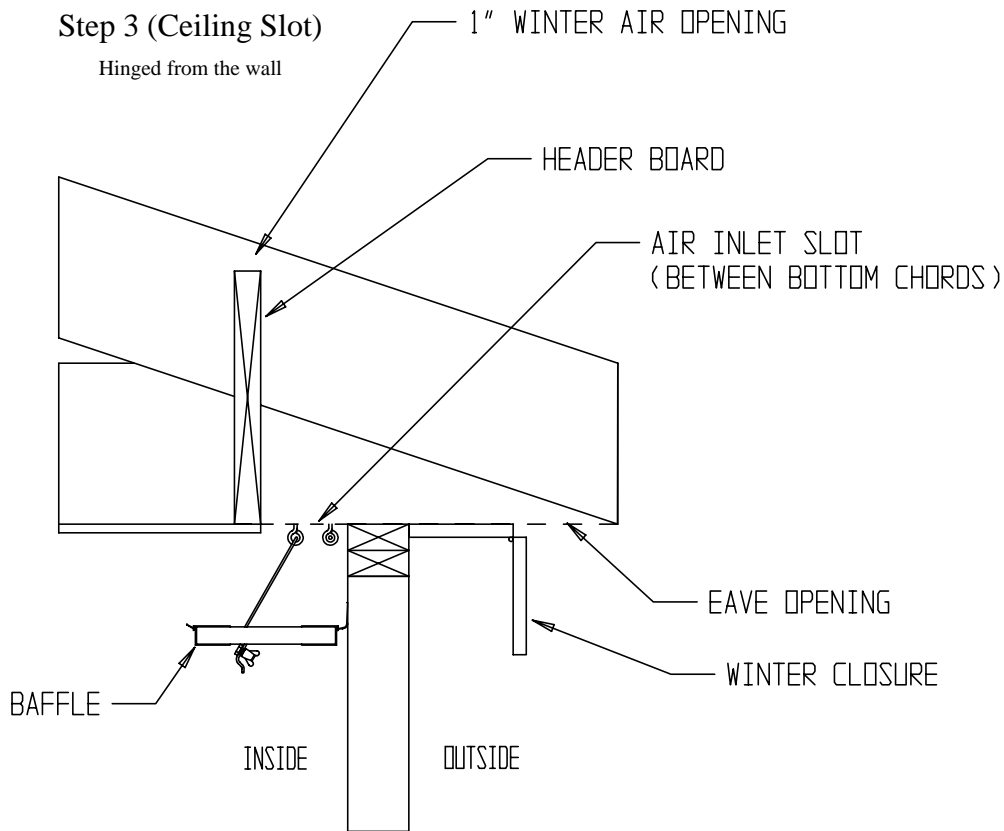
Step 2



Install rod or cable in eye screws. Rod connections are made by sliding ends of the rod through cable clamp (Provided). Bend ends of rod ($\frac{1}{2}$ ") and tighten clamp.

IMPORTANT: Allow for free travel in both directions.

Adjust-A-Baffle™ Installation



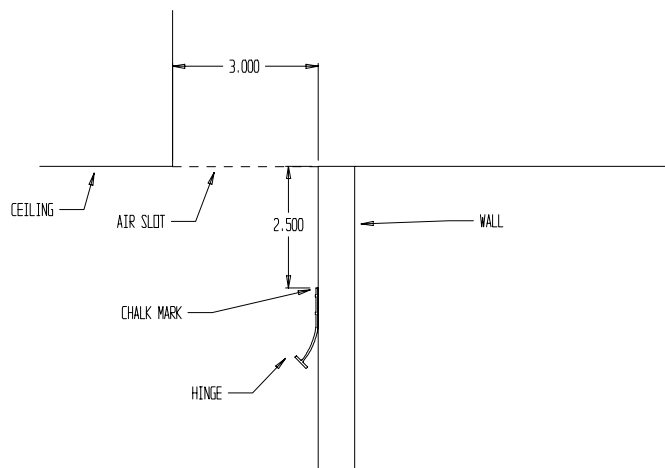
CEILING BAFFLE DETAIL
Not To Scale

To determine distance from ceiling where hinge should be located, run a chalk line on the wall down from the ceiling ($\frac{1}{2}$ " less distance than overall width of the slot opening.

EXAMPLE

For a three (3") inch air intake slot, mark a chalk line two and one-half ($2\frac{1}{2}$ ") inches down from the ceiling. Fasten the vinyl hinge to the wall.

Line up the flat edge of the hinge with the chalk mark as indicated. Leave ten (10') feet of hinge unfastened at one end of system. Cut and remove ten (10') foot section of hinge.

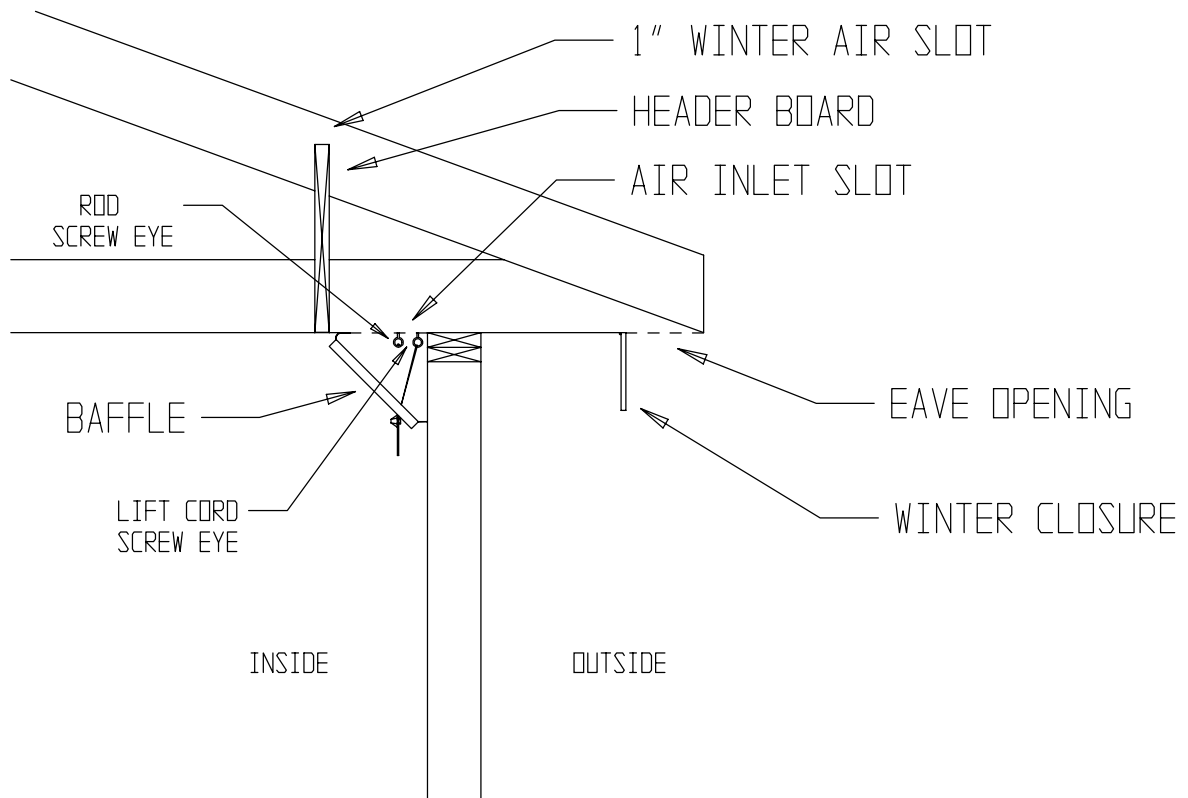


To fasten hinge, use large head nail or screw and washer. Fasten every six (6") inches. Locate fastener one-half ($\frac{1}{2}$ ") inch from edge of hinge.

Adjust-A-Baffle™ Installation

Step 3 (Ceiling Slot)

Hinged from the ceiling



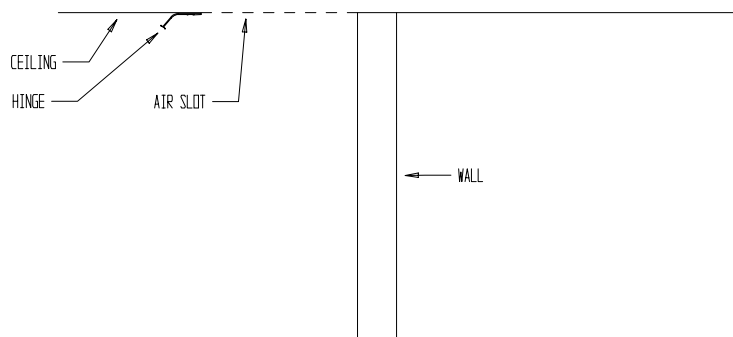
CEILING BAFFLE DETAIL

Not To Scale

Reference Chart

- 8" Baffle - 5½"
- 12" Baffle - 8"
- 16" Baffle - 10½"
- 20" Baffle - 13"

To Fasten Hinge, Use large head nail or screw and washer. Fasten every six (6") inches. Locate fastener one-half (½") inch from edge of hinge.

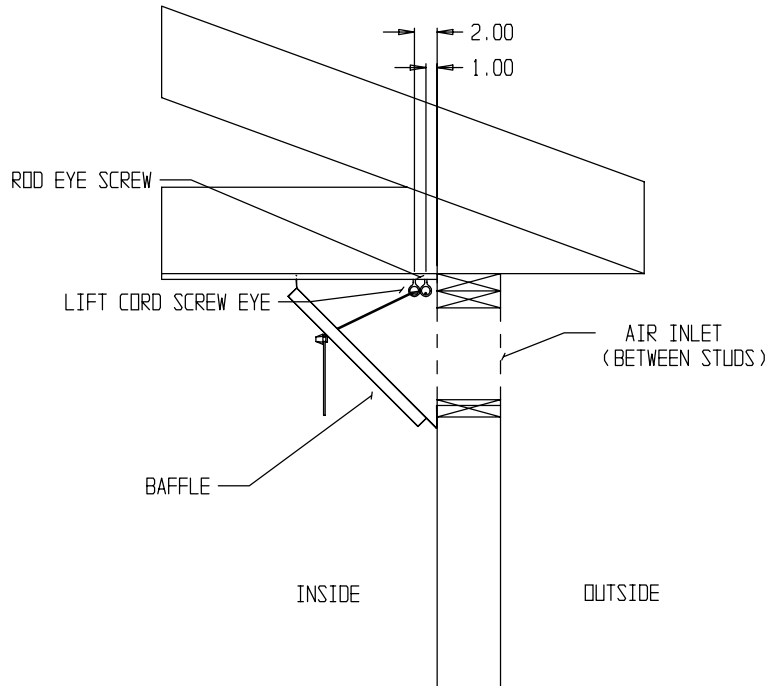


To determine distance from wall where the hinge should be located - Baffle (In the fully closed position), should be at an approximate 45° angle as indicated. Use chart to determine distance from the wall where the hinge should be located. Run a chalk line at appropriate location and line up the flat edge of the hinge with the chalk mark as indicated. Leave ten (10') feet of hinge unfastened at one end of system. Cut and remove ten (10') foot section of hinge.

Adjust-A-Baffle™ Installation

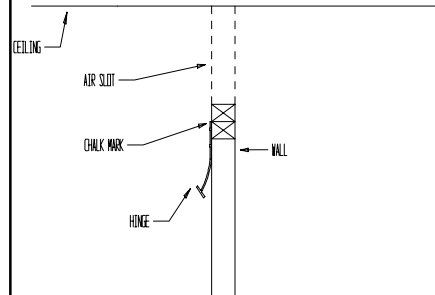
Step 3 (Wall Slot)

Hinged from the wall



WALL INLET BAFFLE DETAIL

Not To Scale



Reference Chart

8" Baffle - 5½"

12" Baffle - 8"

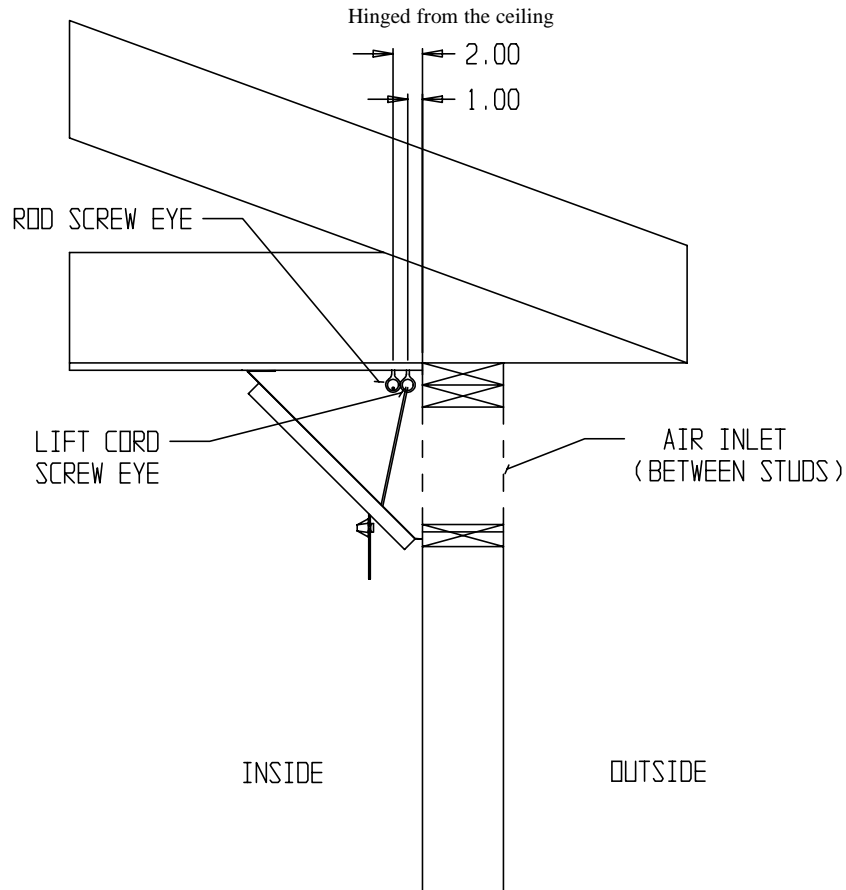
16" Baffle - 10½"

20" Baffle - 13"

To Fasten Hinge, Use large head nail or screw and washer. Fasten every six (6") inches. Locate fastener one-half (½") inch from edge of hinge.

To determine distance from ceiling where the hinge should be located - Baffle (In the fully closed position), should be at an approximate 45° angle as indicated. Use chart to determine distance from the ceiling where the hinge should be located. Run a chalk line at appropriate location and line up the flat edge of the hinge with the chalk mark as indicated. Leave ten (10') feet of hinge unfastened at one end of system. Cut and remove ten (10') foot section of hinge.

Step 3 (Wall Slot)



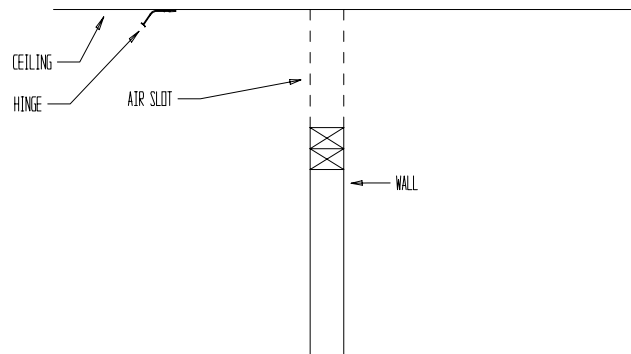
WALL INLET BAFFLE DETAIL

To determine distance from wall where hinge should be located, run a chalk line on the ceiling from the wall ($\frac{1}{2}$ ") less distance than overall width of the slot opening.

EXAMPLE

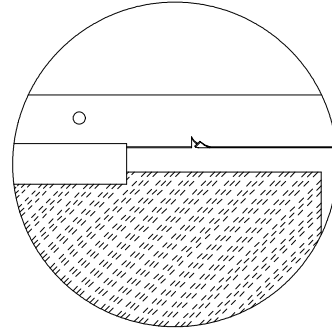
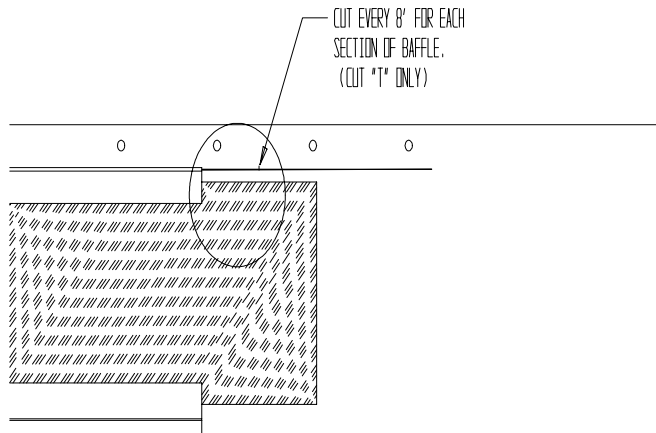
For a three (3") inch air intake slot, mark a chalk line two and one-half ($2\frac{1}{2}$ ") inches over from the wall. Fasten the vinyl hinge to the ceiling.

Line up the flat edge of the hinge with the chalk mark as indicated. Leave ten (10') feet of hinge unfastened at one end of system. Cut and remove ten (10') foot section of hinge.



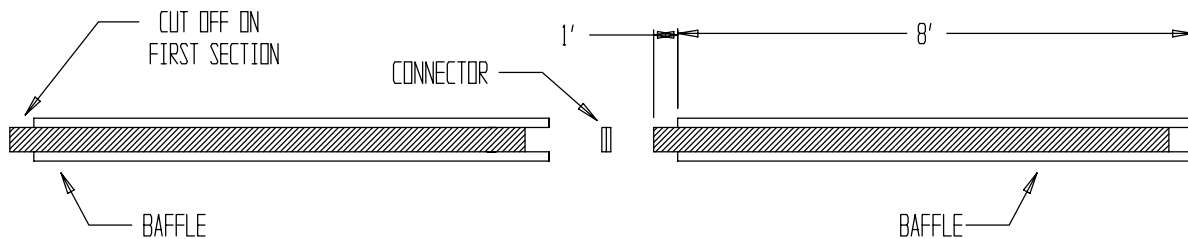
Adjust-A-Baffle™ Installation

Step 4



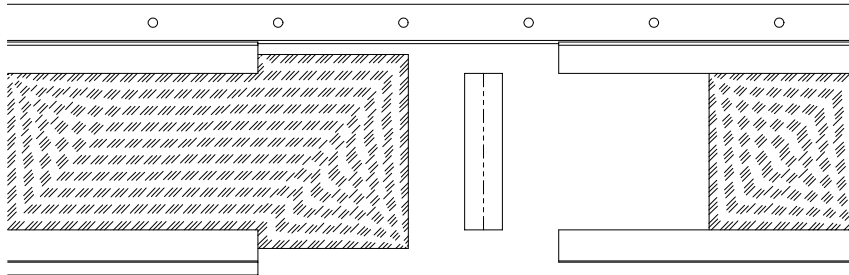
Starting nine (9') feet from end of hinge, cut a (1/4") notch in "T" section of the hinge. Cut every 8' for each section of baffle. This will allow for ease of installation. A soapy water solution will assist in sliding baffle onto the "T" section of the hinge.

Step 5



Cut off the one(1') foot section of baffle insulation board extending past the plastic extrusion of the first section of baffle panel only. Save this section for the last section installed if required. Slide the first section onto the hinge at the first notch nine (9') feet from the end of the hinge.

Step 6

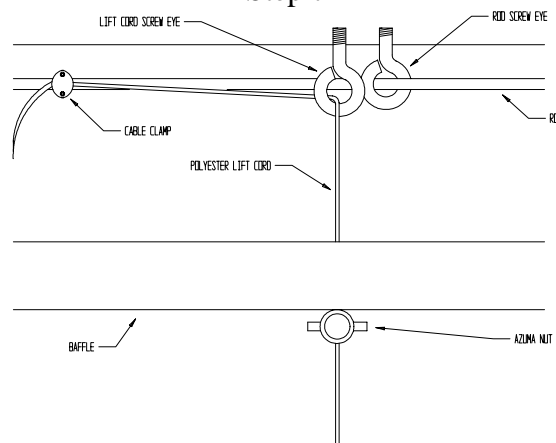


Starting at the second notch in the "T" section of the hinge, slide the second panel onto the hinge. Place a baffle panel connector between each section and allow for expansion by leaving a 1/4" space between panels. Repeat this process up to the last section of panel where there is no hinge installed.

The last section of baffle will require the hinge to be inserted onto baffle panel and fastened to the wall. If a full section is needed, insert baffle insulation board previously cut and removed from first section installed. If less than a full section required, cut baffle panel to accommodate space requirement.

Using a soapy water solution, slide the weatherstrip onto the baffle panel plastic extrusion.

Step 7



Polyester lift cord should angle up from the baffle to the screw eye at a 40°-45° angle when in fully closed position. This will determine where to drill a 3/16" hole through the baffle panel for the lift cord connection. Drill the holes every four (4') feet in line with the lift cord screw eye. Reference Step 1 & 3 for typical installation location. Insert cord as indicated.

IMPORTANT: DO NOT RUN THE CORD THROUGH THE ROD OR CABLE SCREW EYE. ALLOW ADEQUATE TRAVEL IN BOTH DIRECTIONS.



Limited Warranty

The GSI Group, LLC. ("GSI") warrants products which it manufactures to be free of defects in materials and workmanship under normal usage and conditions for a period of 12 months after sale to the original end-user or if a foreign sale, 14 months from arrival at port of discharge, whichever is earlier. The end-user's sole remedy (and GSI's only obligation) is to repair or replace, at GSI's option and expense, products that in GSI's judgment, contain a material defect in materials or workmanship. Expenses incurred by or on behalf of the end-user without prior written authorization from the GSI Warranty Group shall be the sole responsibility of the end-user.

Warranty Extensions: The Limited Warranty period is extended for the following products:

	Product	Warranty Period
AP Fans and Flooring	Performer Series Direct Drive Fan Motor	3 Years
	All Fiberglass Housings	Lifetime
	All Fiberglass Propellers	Lifetime
Cumberland Feeding/Watering Systems	Feeder System Pan Assemblies	5 Years **
	Feed Tubes (1.75" & 2.00")	10 Years *
	Centerless Augers	10 Years *
	Watering Nipples	10 Years *
Grain Systems	Grain Bin Structural Design	5 Years
Grain Systems Farm Fans Zimmerman	Portable & Tower Dryers	2 Years
	Portable & Tower Dryer Frames and Internal Infrastructure †	5 Years

* Warranty prorated from list price:
 0 to 3 years – no cost to end-user
 3 to 5 years – end-user pays 25%
 5 to 7 years – end-user pays 50%
 7 to 10 years – end user pays 75%

** Warranty prorated from list price:
 0 to 3 years – no cost to end-user
 3 to 5 years – end-user pays 50%

† Motors, burner components and moving parts not included. Portable Dryer screens included. Tower Dryer screens not included.

GSI further warrants that the portable and tower dryer frame and basket, excluding all auger and auger drive components, shall be free from defects in materials for a period of time beginning on the twelfth (12th) month from the date of purchase and continuing until the sixtieth (60th) month from the date of purchase (extended warranty period). During the extended warranty period, GSI will replace the frame or basket components that prove to be defective under normal conditions of use without charge, excluding the labor, transportation, and/or shipping costs incurred in the performance of this extended warranty.

Conditions and Limitations:

THERE ARE NO WARRANTIES THAT EXTEND BEYOND THE LIMITED WARRANTY DESCRIPTION SET FORTH ABOVE. SPECIFICALLY, GSI MAKES NO FURTHER WARRANTY OF ANY KIND, EXPRESS OR IMPLIED, INCLUDING, WITHOUT LIMITATION, WARRANTIES OF MERCHANTABILITY OR FITNESS FOR A PARTICULAR PURPOSE OR USE IN CONNECTION WITH: (i) PRODUCT MANUFACTURED OR SOLD BY GSI OR (ii) ANY ADVICE, INSTRUCTION, RECOMMENDATION OR SUGGESTION PROVIDED BY AN AGENT, REPRESENTATIVE OR EMPLOYEE OF GSI REGARDING OR RELATED TO THE CONFIGURATION, INSTALLATION, LAYOUT, SUITABILITY FOR A PARTICULAR PURPOSE, OR DESIGN OF SUCH PRODUCTS.

GSI shall not be liable for any direct, indirect, incidental or consequential damages, including, without limitation, loss of anticipated profits or benefits. The sole and exclusive remedy is set forth in the Limited Warranty, which shall not exceed the amount paid for the product purchased. This warranty is not transferable and applies only to the original end-user. GSI shall have no obligation or responsibility for any representations or warranties made by or on behalf of any dealer, agent or distributor.

GSI assumes no responsibility for claims resulting from construction defects or unauthorized modifications to products which it manufactured. Modifications to products not specifically delineated in the manual accompanying the equipment at initial sale will void the Limited Warranty.

This Limited Warranty shall not extend to products or parts which have been damaged by negligent use, misuse, alteration, accident or which have been improperly/inadequately maintained. This Limited Warranty extends solely to products manufactured by GSI.

Prior to installation, the end-user has the responsibility to comply with federal, state and local codes which apply to the location and installation of products manufactured or sold by GSI.

THE G S I GROUP



AIRSTREAM
ventilation systems

Box 20, 1004 East Illinois Street
Assumption, Illinois 62510
Ph: (217) 226-4449
Fax: (217) 226-3540