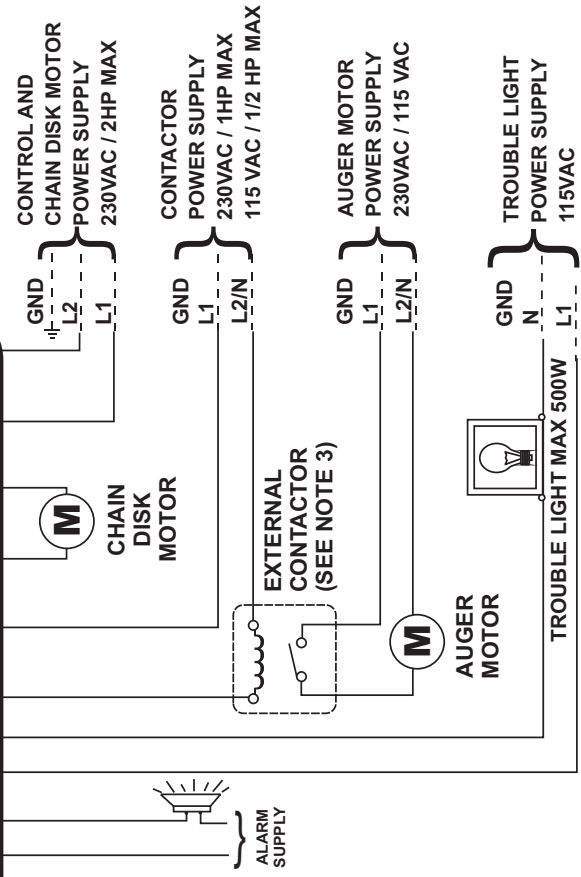
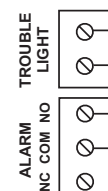
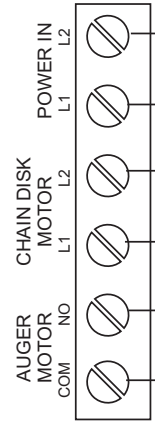
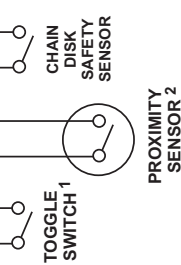
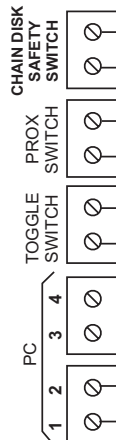


# APCD-300 CHAIN DISK CONTROLLER



LEAVE A CLEARANCE OF AT LEAST 12" TO THE LEFT OF THE CONTROLLER BOX TO ALLOW THE COVER TO BE REMOVED FOR MAINTENANCE.

12 inches

DO NOT DRILL THE SIDES OF THE UNIT CONTROL. USE AVAILABLE KNOCKOUTS AT THE BOTTOM OF THE UNIT.

1 TOGGLE SWITCH

IF NO TOGGLE SWITCH IS REQUIRED, CONNECT UP THE TOGGLE SWITCH TERMINALS AS ILLUSTRATED.

2 PROXIMITY SENSOR

NO EXTERNAL LOAD RESISTOR IS REQUIRED. SET THE PROXIMITY SENSOR DELAY TO 0 SEC.

3 USE CSA CERTIFIED AND SEALED CONTACTORS ONLY!