



1004 East Illinois Street • Assumption, IL 62510 • 1-217-226-4421

# Instructions Chain Disk Corners Assembly Installation

1. Remove the top housing (6). Insert the tubes (8) against the shoulders of the bottom housing (7).
2. Install one tube clamp (5) over each tube (8) using two 5/16" x 1-1/4" flange bolts (1) and 5/16" flange nuts (2) per clamp.

**NOTE:** Make sure the bolt (1) heads are seated properly in the hex pockets of the tube clamps (5) and torque to 5 ft.-lbs. Do not overtighten and never use any impact driver.

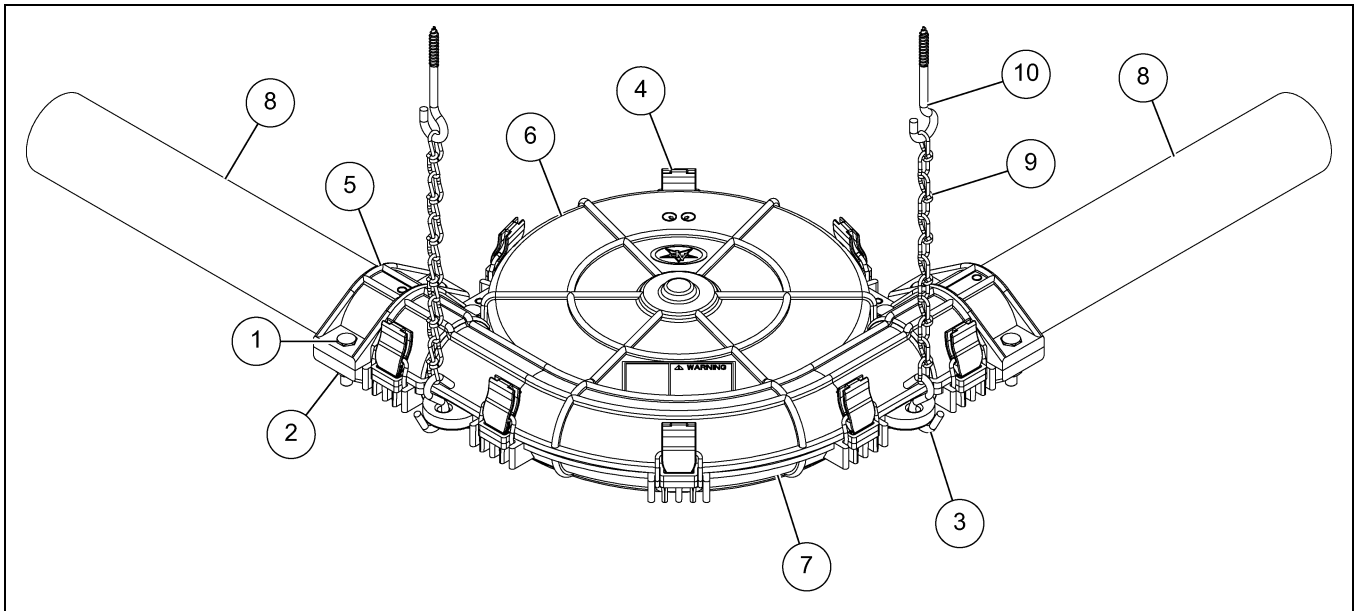
3. Install two S-hooks (3) to the bottom housing (7) and suspend it from the ceiling with chain (9) and eye bolts (10) as shown in [Figure 1](#).

**IMPORTANT:** Chain disk corners are heavy and will sag if not suspended properly, causing premature wear. Failure to properly suspend corners will void warranty.

4. Install the chain disk through tubing and around corners. The PVC tubing must be supported every 4' and steel tubing every 10'.

**NOTE:** Make sure all the tubing and corners are installed straight and level. Failure to properly suspend tubing will void warranty.

5. Align the top housing (6) over the bottom housing (7) with dowel pins and secure using eight latches (4).



**Figure 1** Assembling and Suspending the Chain Disk Corners

Ref #	Part #	Description
1	S-7683	Bolt, HHTB 5/16"-18 x 1-1/4" SS Waxed Coating
2	S-8452	Nut, Flange 5/16"-18 SS Waxed
3	S-10362	S-Hook
4	APCD-763	Draw Latch Assembly
5	APCD-762C	Tube Clamp

Ref #	Part #	Description
6	APCD-762T	Top Housing
7	APCD-762B	Bottom Housing
8		Tube
9		Chain
10		Eye Bolt

Date: 07-31-20

V3.0

Printed in the USA  
Copyright © 2020 by The GSI Group, LLC  
www.automatedproduction.com /  
www.cumberlandpoultry.com



PNEG-1416

Page 1 of 1  
CN-360446