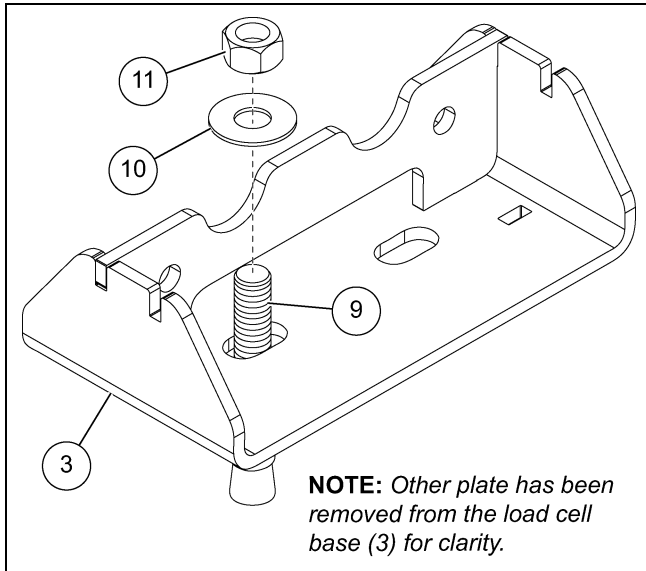


Assembling the Load Cell

- Place the load cell base (3) over the existing anchor bolt (9) and secure using a flat washer (10) and a hex nut (11).

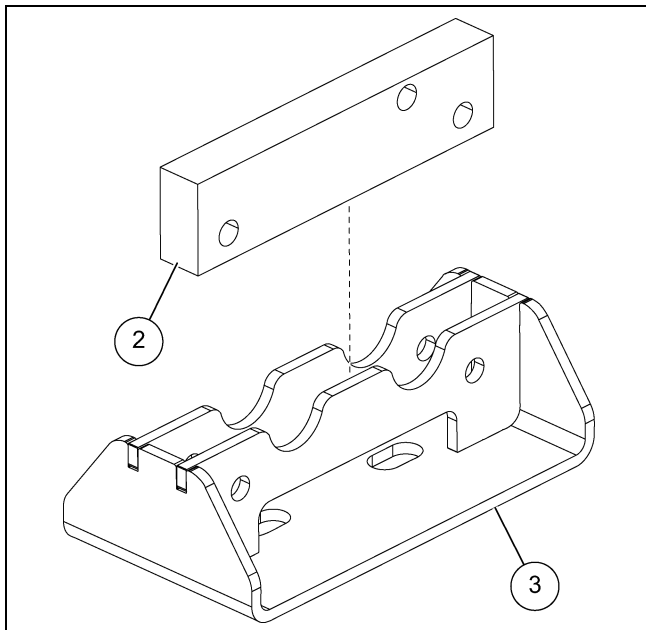
NOTE: After tightening the nut (11), cut off the anchor bolt (9) flush with the top surface of the nut (11).



Ref #	Part #	Description
3	AP-5617M-RD	Load Cell Base Assembly
9		Anchor Bolt
10		Flat Washer
11		Hex Nut

Figure 1 *Installing the Load Cell Base to the Anchor Bolt*

- Slide the transducer (2) between the two plates of the load cell base (3) and align the holes.



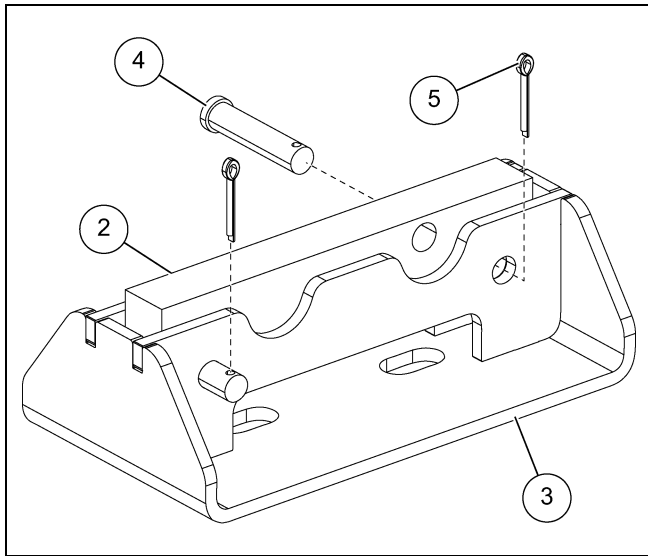
Ref #	Part #	Description
2	INT-4810A	Transducer
3	AP-5617M-RD	Load Cell Base Assembly

Figure 2 *Sliding the Transducer to the Load Cell Base*



Load Cell Assembly for Meridian Bin Legs (INT-4810M)

3. Insert the 1/2" x 2-1/4" clevis pins (4) into the two holes of the load cell base (3) and secure each 1/2" x 2-1/4" clevis pin (4) with a 5/32" x 1" cotter pin (5).

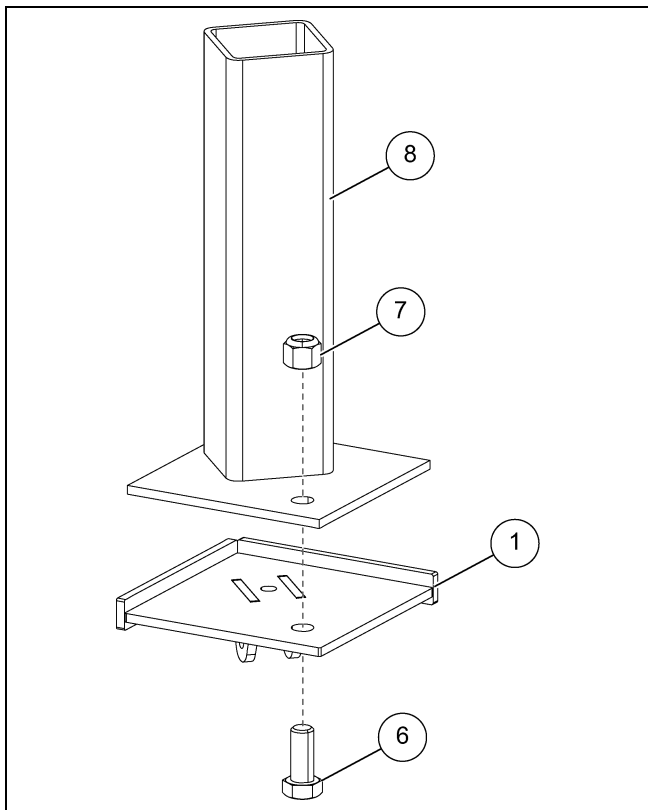


Ref #	Part #	Description
2	INT-4810A	Transducer
3	AP-5617M-RD	Load Cell Base Assembly
4	S-9247	1/2" x 2-1/4" Clevis Pin
5	S-4196	5/32" x 1" Cotter Pin

Figure 3 Inserting the Clevis Pins to the Load Base

4. Assemble the meridian leg (8) to the clevis assembly (1) using a 5/8" x 1-1/2" HHCS bolt (6) and 5/8" nylock nut (7).

NOTE: Install 5/8" x 1-1/2" bolt (6) with bolt head under the clevis assembly (1) and 5/8" nylock nut (7) on top of the meridian leg (8).



Ref #	Part #	Description
1	AP-5989-RD	Clevis Assembly
6	S-9009	5/8" x 1-1/2" HHCS Bolt
7	S-8806	5/8" Nylock Nut
8		Meridian Leg

Figure 4 Assembling the Meridian Leg to the Clevis Assembly

Load Cell Assembly for Meridian Bin Legs (INT-4810M)

5. Place the clevis assembly (1) with meridian leg (8) above the transducer (2) as shown in [Figure 5](#) and align the holes.
6. Secure the clevis assembly (1) in place with a 1/2" x 2-1/4" clevis pin (4). Lock the 1/2" x 2-1/4" clevis pin (4) with a 5/32" x 1" cotter pin (5).

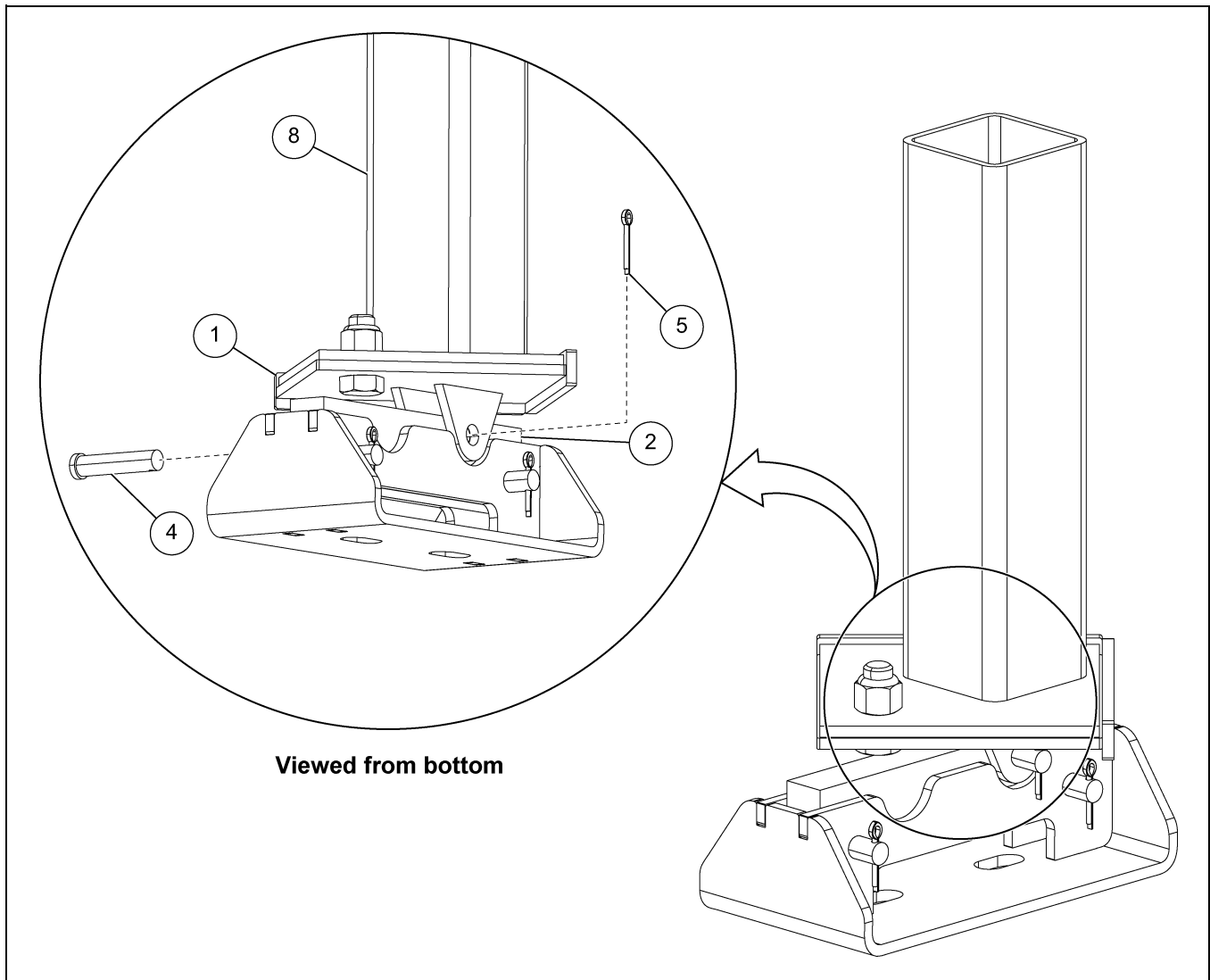


Figure 5 *Installing the Clevis Assembly to the Transducer*

Ref #	Part #	Description
1	AP-5989-RD	Clevis Assembly
2	INT-4810A	Transducer
4	S-9247	1/2" x 2-1/4" Clevis Pin
5	S-4196	5/32" x 1" Cotter Pin
8		Meridian Leg

Load Cell Assembly for Meridian Bin Legs (INT-4810M)

Feed-Link 10,000 Lbs. Load Cell Assembly for Meridian Bins Parts (INT-4810M)

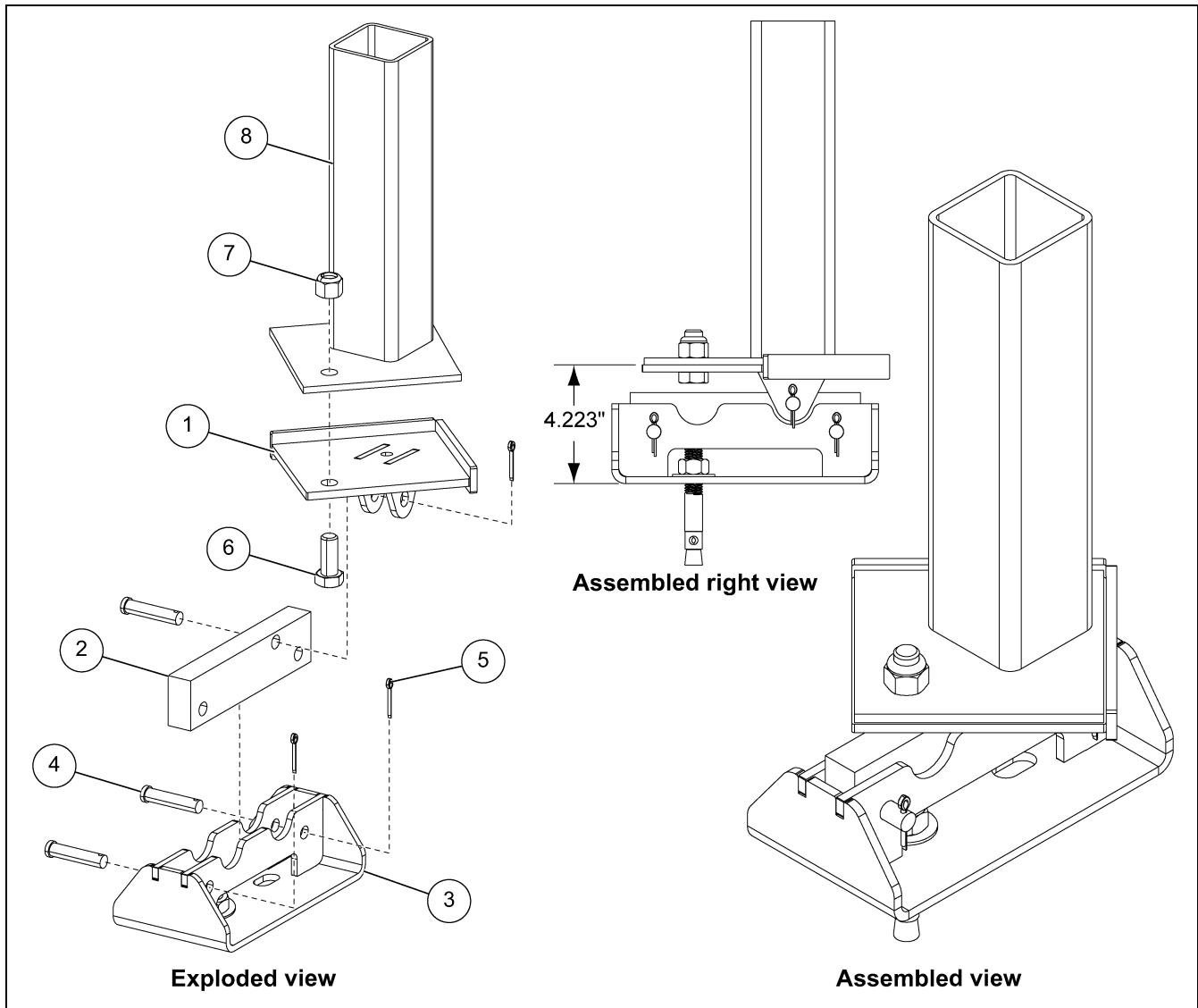


Figure 6 Feed-Link 10,000 Lbs. Load Cell Assembly for Meridian Bins Parts (INT-4810M)

Feed-Link 10,000 Lbs. Load Cell Assembly for Meridian Bins Parts List (INT-4810M)

Ref #	Part #	Description	Qty
1	AP-5989-RD	Clevis Assembly for Meridian Bin, Painted Red	1
2	INT-4810A	Transducer, Feed-Link 10,000 Lbs. Load Cell Beam Only	1
3	AP-5617M-RD	10,000 Lbs. Load Cell Base Assembly, Painted Red	1
4	S-9247	Pin, Clevis 1/2" x 2-1/4" ZN	3
5	S-4196	Pin, Cotter 5/32" x 1" ZN Grade 2	3
6	S-9009	Bolt, HHCS 5/8"-11 x 1-1/2" ZN Grade 5	1
7	S-8806	Nut, Nylock 5/8"-11 ZN Grade 5	1
8		Meridian Leg	1