

**Mounting the controller on the wall:**  
 Leave a clearance of at least 12" to the left of the controller box and 16" to the left of the relay panel to allow covers to be removed for maintenance.

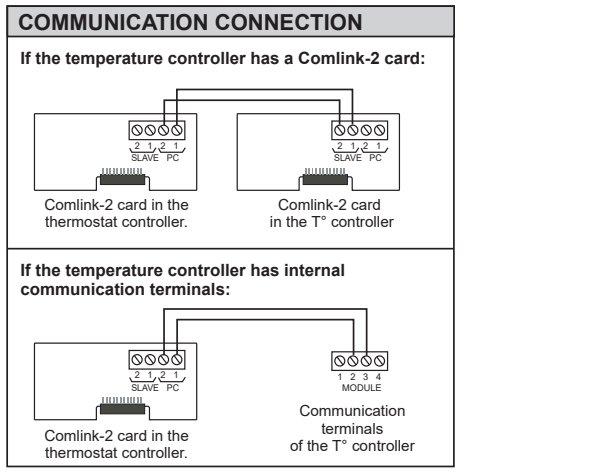
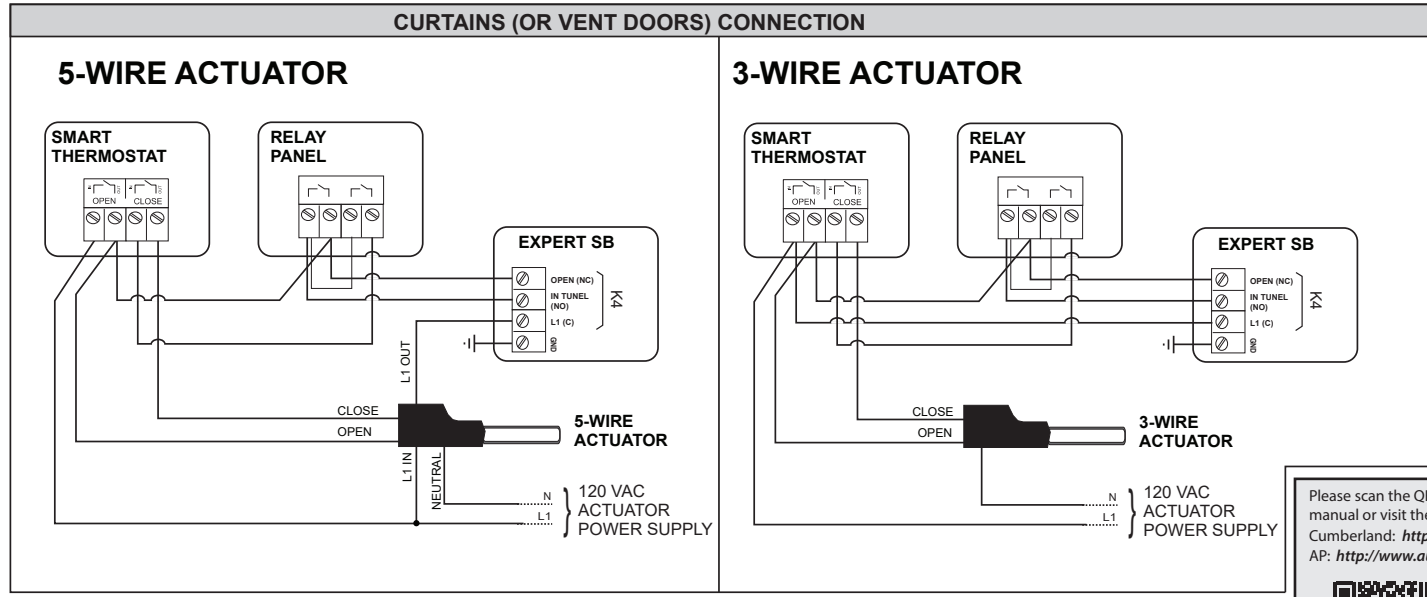
**Identification number :** A unique ID number must be given to the thermostat control. Refer to the temperature controller's wiring diagram to see which ID numbers are already taken and choose the first ID that isn't used. Then, use black jumpers to set this ID number on the Comlink-2 card inserted in the thermostat controller.

**Relay Selection:** The relay selection made on this wiring diagram is shown for illustration purpose only. The actual relay selection has to be determined in the field and wired as shown.

See below to connect the actuators (for curtains or vent doors)

Refer to the EXPERT SB's wiring diagram to connect fan and heating outputs

The relay on which the Expert SB is connected must always be turned ON.



Please scan the QR Code to access the complete manual or visit the website.  
 Cumberland: <http://www.cumberlandpoultry.com>  
 AP: <http://www.automatedproduction.com>



WIRING DIAGRAM		(EN)
SMART THERMOSTAT		
#891-00043	REV 03	