

1. Mounting the Enclosure on the Wall: Leave a clearance of at least 12" (300mm) to the left of the controller box to allow the cover to be removed for maintenance.

2. Cable Entry: Punch holes at the bottom of the enclosure to allow wires to be introduced in the controller. Do not drill the top or side panels of the enclosure.

3. Fuse Box: We recommend installing a fuse box on each stage.

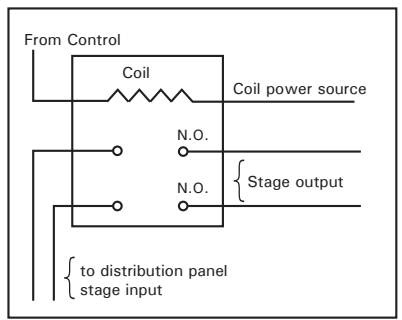
4. Alarm system: Installation of a good quality alarm system is strongly suggested to warn of power failures and high/low temperatures.

5. Surge Protection: Provide a surge protection (including lightning protection) from the power supply to the controller and from the control to the sensors. Consult a certified electrician if required.

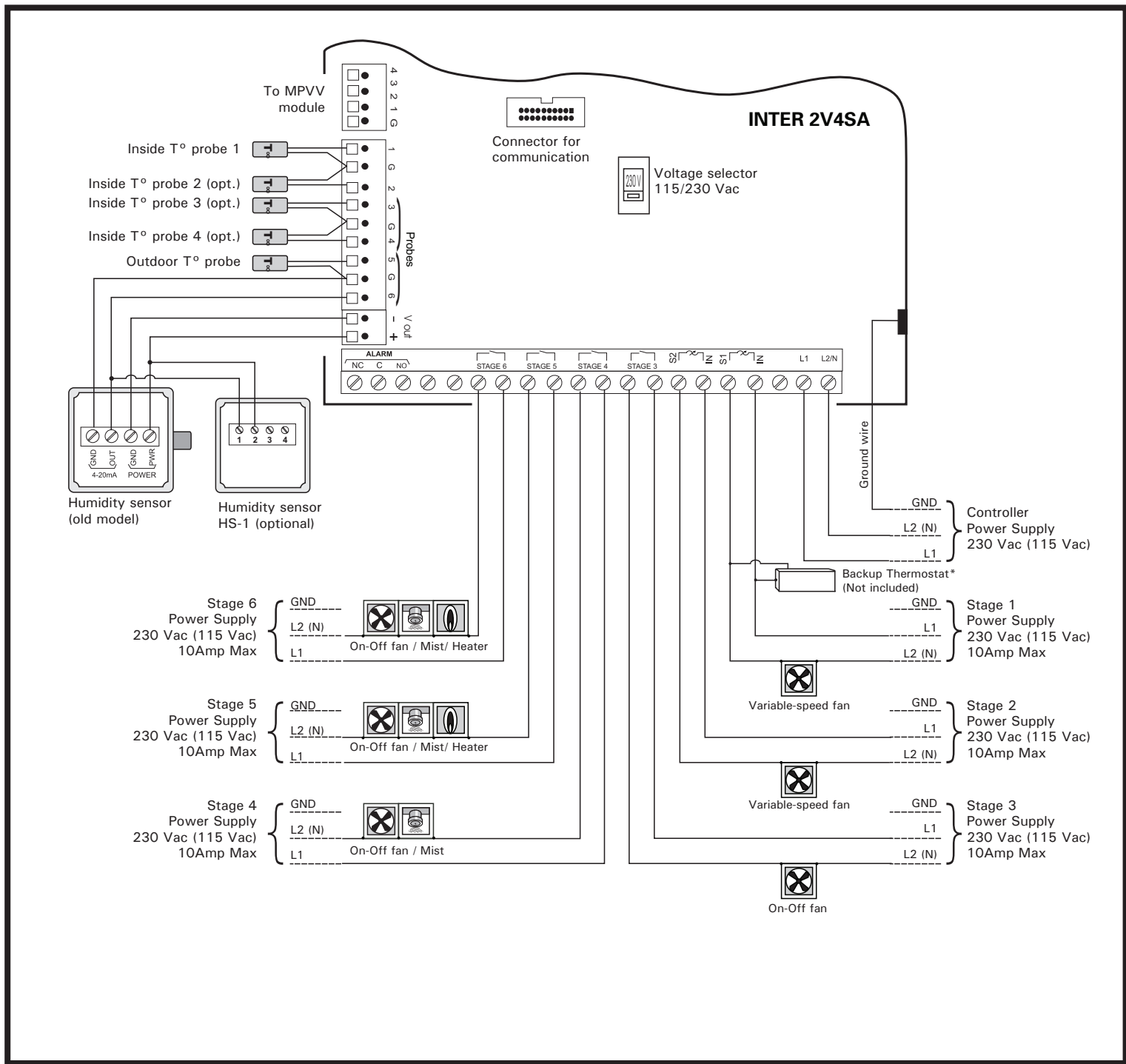
6. 3-Phase Power : Same phases must be used to power the variable fans and the controls on 3 phases power. External switch or circuit breaker: This controller has no power-on switch. An external switch or circuit breaker shall be included in the building installation to interrupt power to L and N electric power lines. It shall be in close proximity to the equipment and within easy reach of the operator. It shall be marked as the disconnecting device for the equipment.

7. ON/OFF Output Capacity: 115VAC 1/4HP (187W), 230VAC 1/2HP (373W), 10 Amp Res. Max.

8. External relays: We recommend installing external relays on "on/off" stages hooked



9. *Backup Thermostats: The backup thermostats are shown for illustration purposes only. Sufficient backup thermostats must be used to ensure ventilation if the controller loses power.



WIRING DIAGRAM	
INTER 2V4SA	
891-00443	Rev.01