



1. Frame the opening a minimum of 48" from the ground and 30-3/8" square. (See Figure 1.)

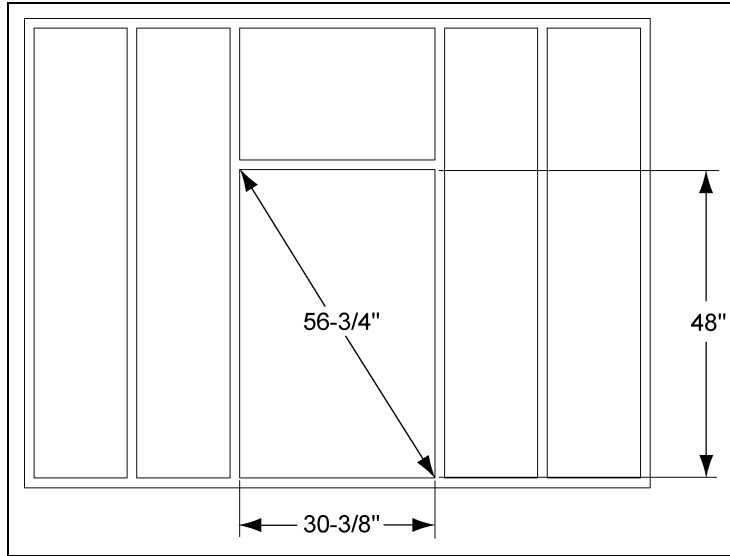


Figure 1

2. Install the duct assembly (2) on the inside wall (1) using #10 x 2" or larger wood screws (3) (not supplied). (See Figure 2.)

NOTE: Make sure the flanges on the duct assembly are installed flat against the build frame. Tuck the flange of the duct assembly under the metal sheeting on the inside of the building.

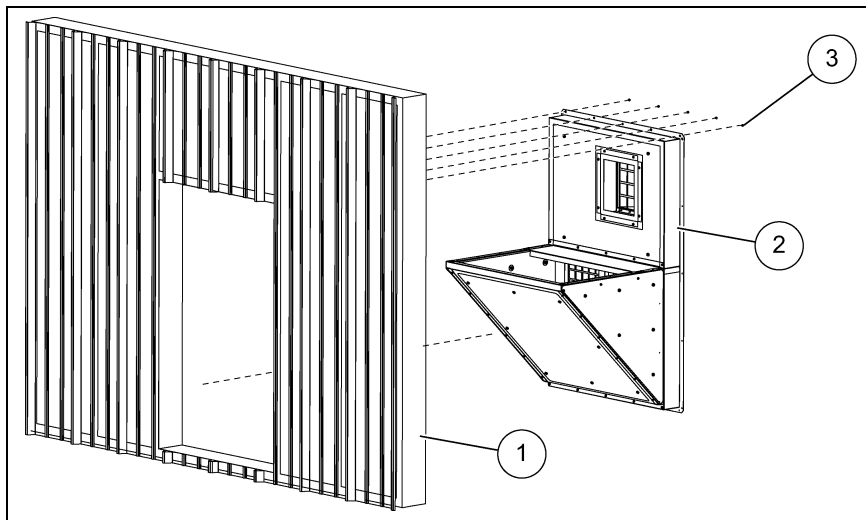


Figure 2

Ref #	Part #	Description
1		Inside Wall
2	VF1-1027	Duct Assembly (S.S)
	VF1-2027	Duct Assembly (Galv.)
3		#10 x 2" Wood Screw (Minimum)



VariFlame Outside Mount Kit Instructions for Recirculation

3. Install the hold-down plates (5) to the knee braces (4) using self-drilling screws (6). (See Figure 3.)

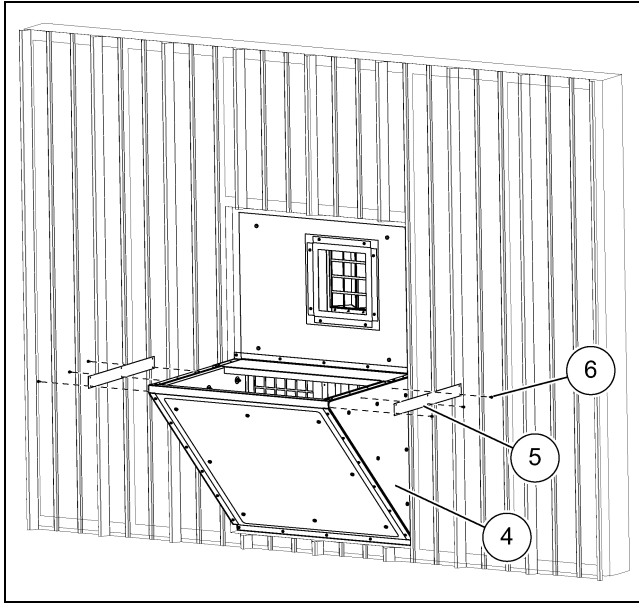


Figure 3

Ref #	Part #	Description
4	VF2-1040	Knee Brace (S.S)
	VF2-2040	Knee Brace (Galv.)
5	VF2-1077	Hold-Down Plate (S.S)
	VF2-2077	Hold-Down Plate (Galv.)
6	1004-5007	#8 x 1/2" Self-Drilling Screw
7	VF2-1046	Top Cover (S.S)
	VF2-2046	Top Cover (Galv.)
8		Outlet Cover Grid
9	VF2-1045	Inside Duct (S.S.)
	VF2-2045	Inside Duct (Galv.)
10	VF3-1020	Screw, MS #10-32 x 3/4"
11	S-1429	Bolt, HHCS 1/4"-20 x 3/4" Grade 2
12		Heater

4. Install the top cover (7) to the top of the heater (12) using bolts (11). (See Figure 4.)
5. Assemble the inside ducts (9) together using two self-drilling screws (6) one on the top and bottom where the ducts overlap, close to the flange.
6. Remove the heat outlet cover grid (8), keeping the hardware (10) to use when installing the inside duct (9).
7. Install the inside duct (9) to the heater (12) using the previously removed hardware (10).
8. Remove the bottom three screws (6) from each side of the heater (12) and save to reuse later.

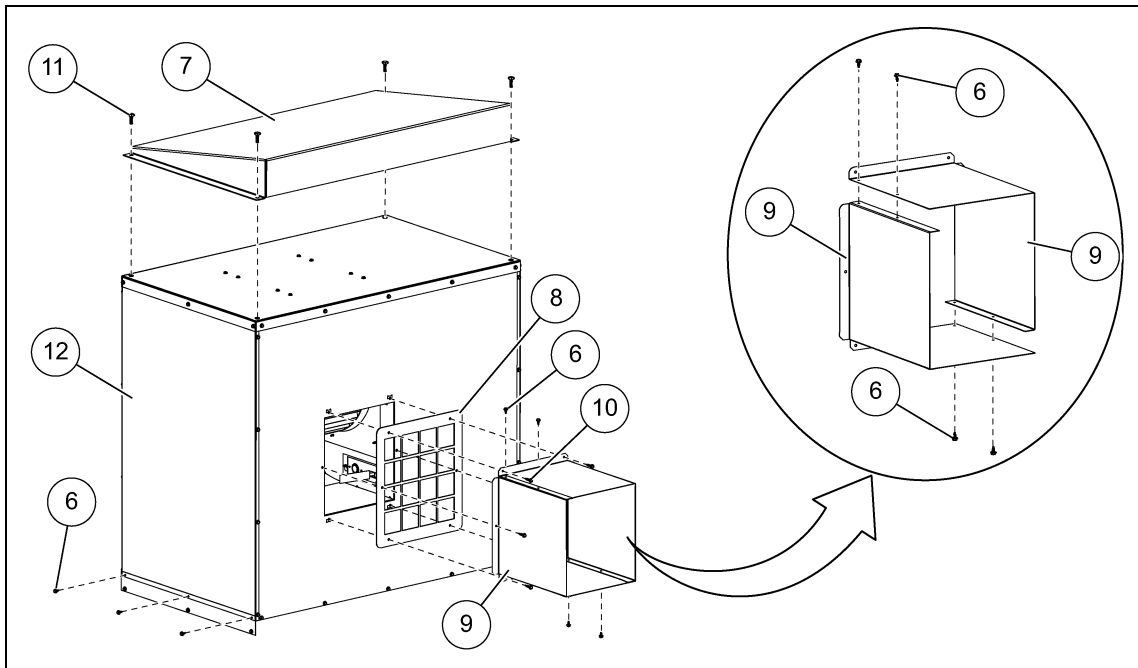


Figure 4

VariFlame Outside Mount Kit Instructions for Recirculation

9. Place the heater (12) on top of the knee braces (4) and slide the inside ducts into the outer duct.



Use proper lifting device or two people to lift heater into place.

10. Install the heater (12) to the hold-down plates (5) using the previously removed hardware (6).
(See Figure 5.)

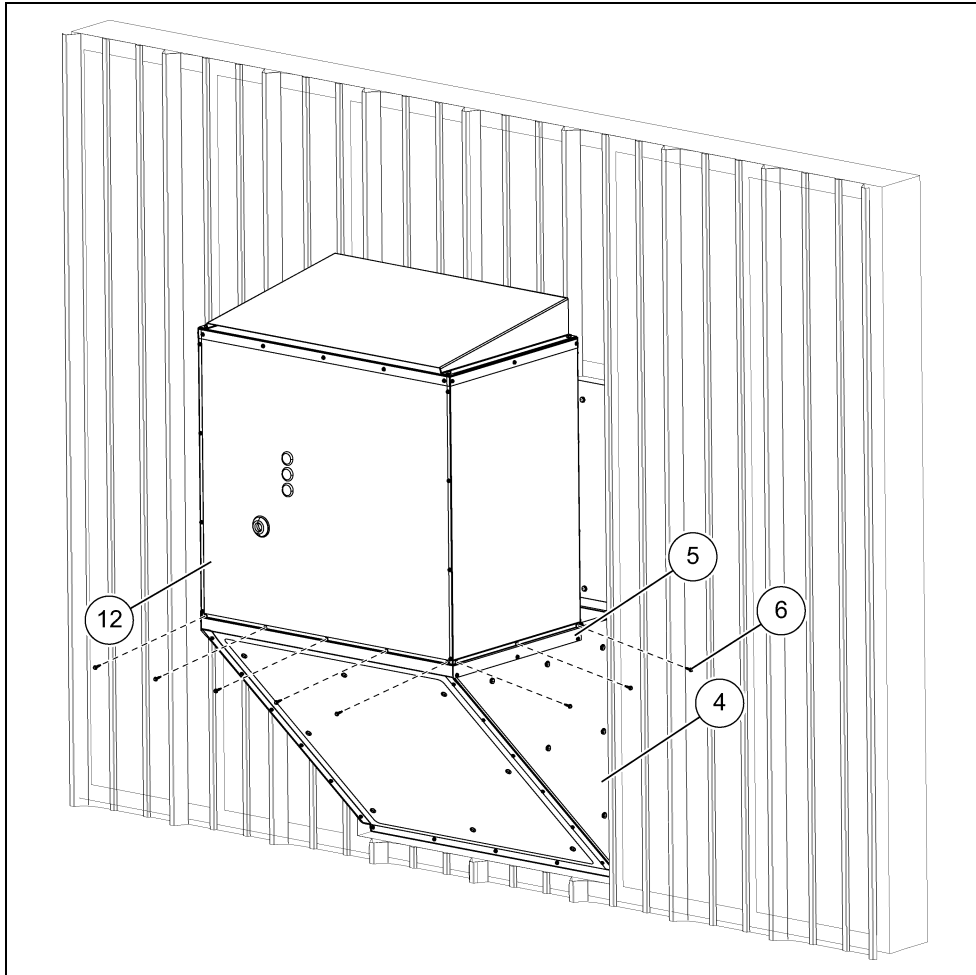


Figure 5

Ref #	Part #	Description
4	VF2-1040	Knee Brace (S.S.)
	VF2-2040	Knee Brace (Galv.)
5	VF2-1077	Hold-Down Plate (S.S.)
	VF2-2077	Hold-Down Plate (Galv.)
6	1004-5007	#8 x 1/2" Self-Drilling Screw
12		Heater