



Stacked Evaporative Center Pad Retainer Kit Installation

1. Install the bottom row of the evaporative pads (7).

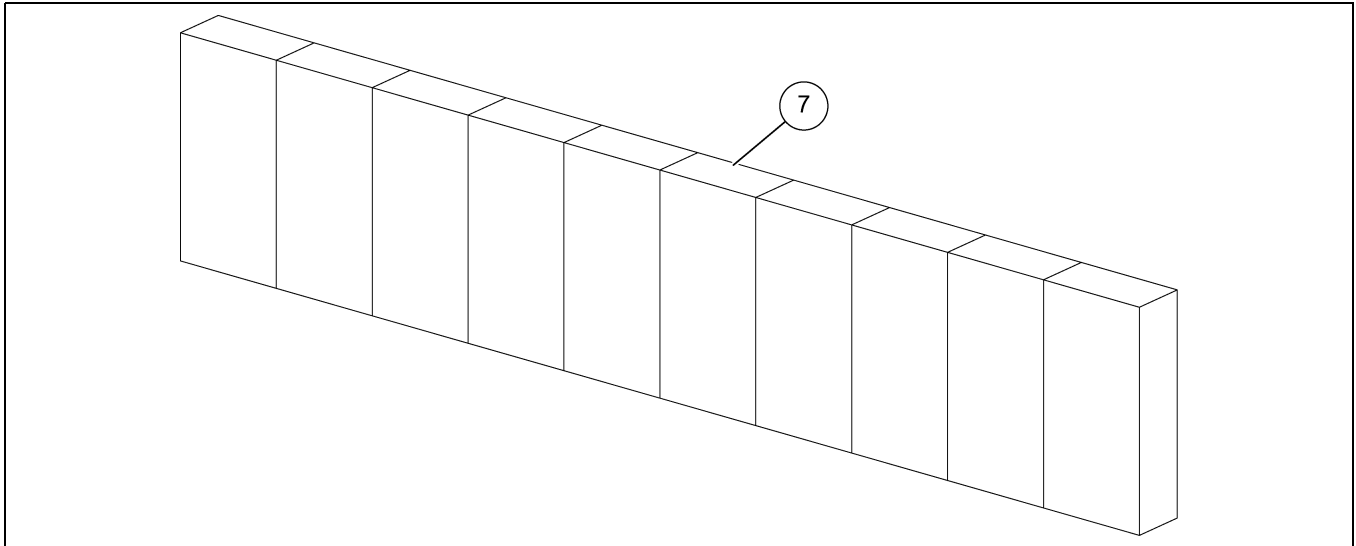


Figure 1

Ref #	Description
7	Evaporative Pads

2. Using the anchor pad retainer (1) as a guide, mark the hole locations on the 1 x 3 board (6), making sure the holes are spaced 4' apart.

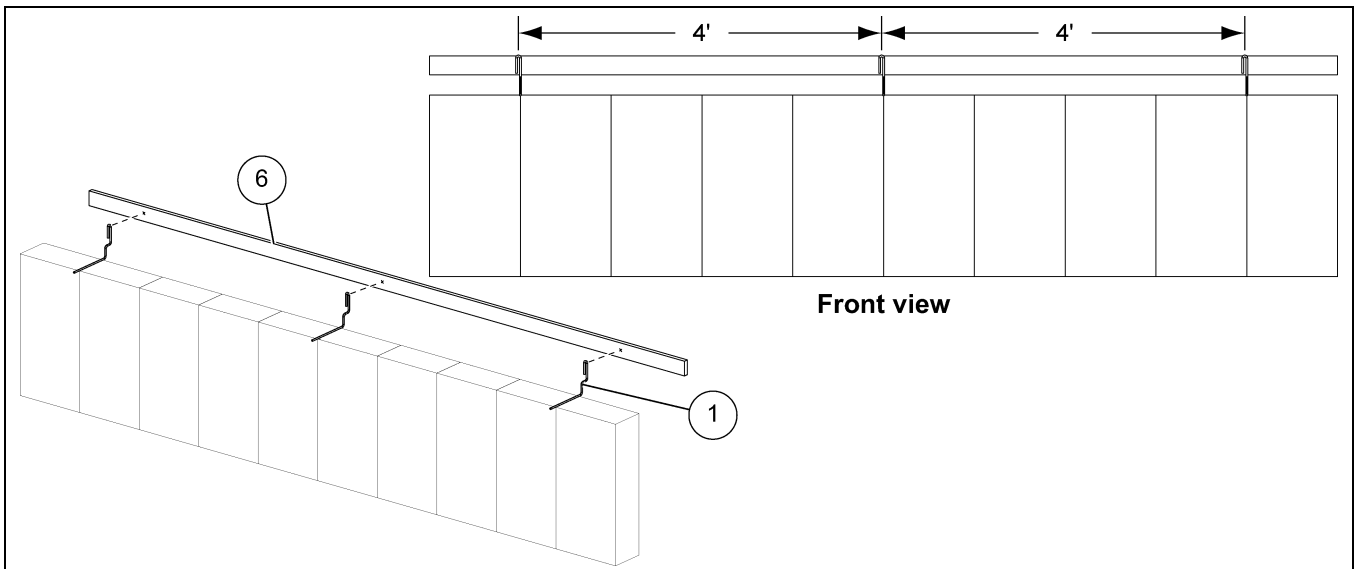


Figure 2

Ref #	Part #	Description
1	60-0641	Anchor, Pad Retainer
6		1 x 3 Board



Stacked Evaporative Center Pad Retainer Kit (60-0650)

- Attach the anchor pad retainers (1) to the 1 x 3 board (6) using 1/4" lag bolt (5) and 5/16" fender washers (3).

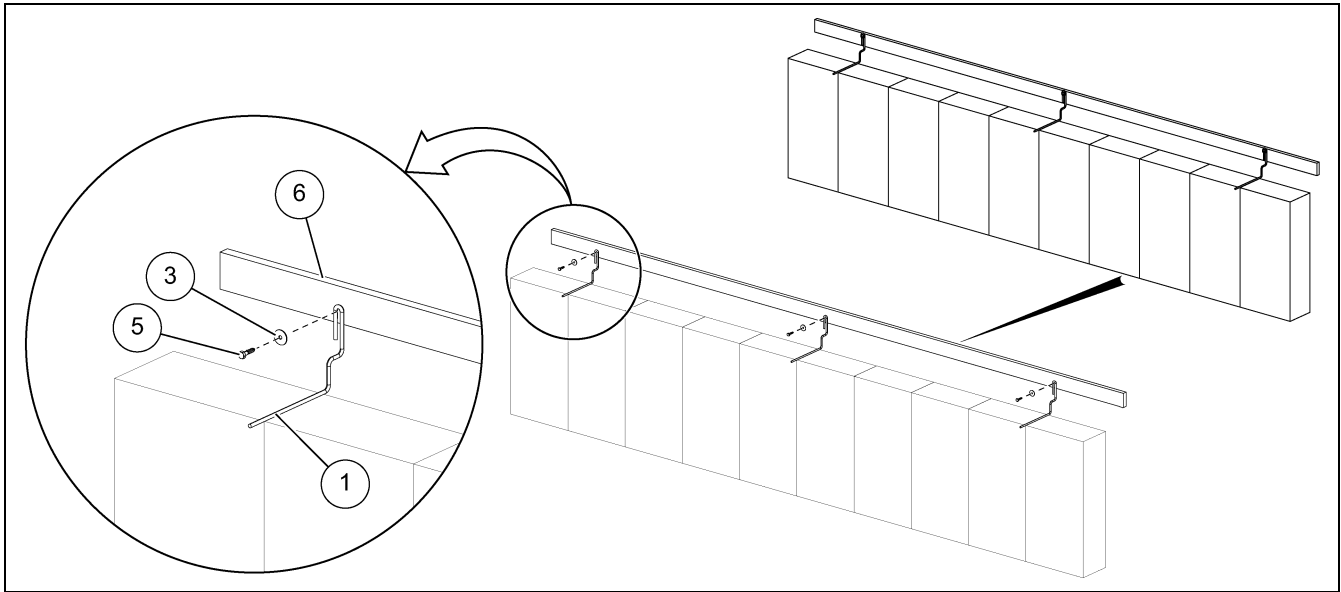


Figure 3

Ref #	Part #	Description
1	60-0641	Anchor, Pad Retainer
3	S-8724	Washer, Fender 5/16" x 1-1/2" x 1/16" SS
5	S-10567	Bolt, Lag 1/4" x 1-1/2" SS
6		1 x 3 Board

- Install the rear pad retainer (2) over the anchor pad retainers (1).

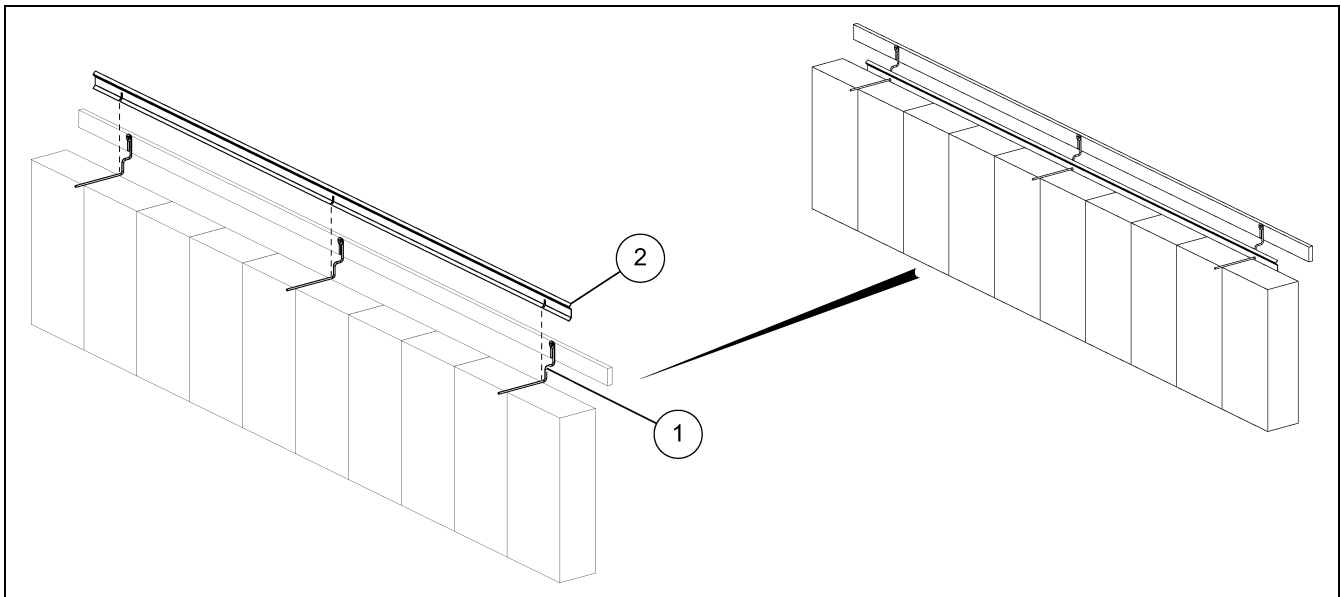


Figure 4

Ref #	Part #	Description
1	60-0641	Anchor, Pad Retainer
2	60-0649	9' Pad Retainer

Stacked Evaporative Center Pad Retainer Kit (60-0650)

5. Install the top row of the evaporative pads (7).

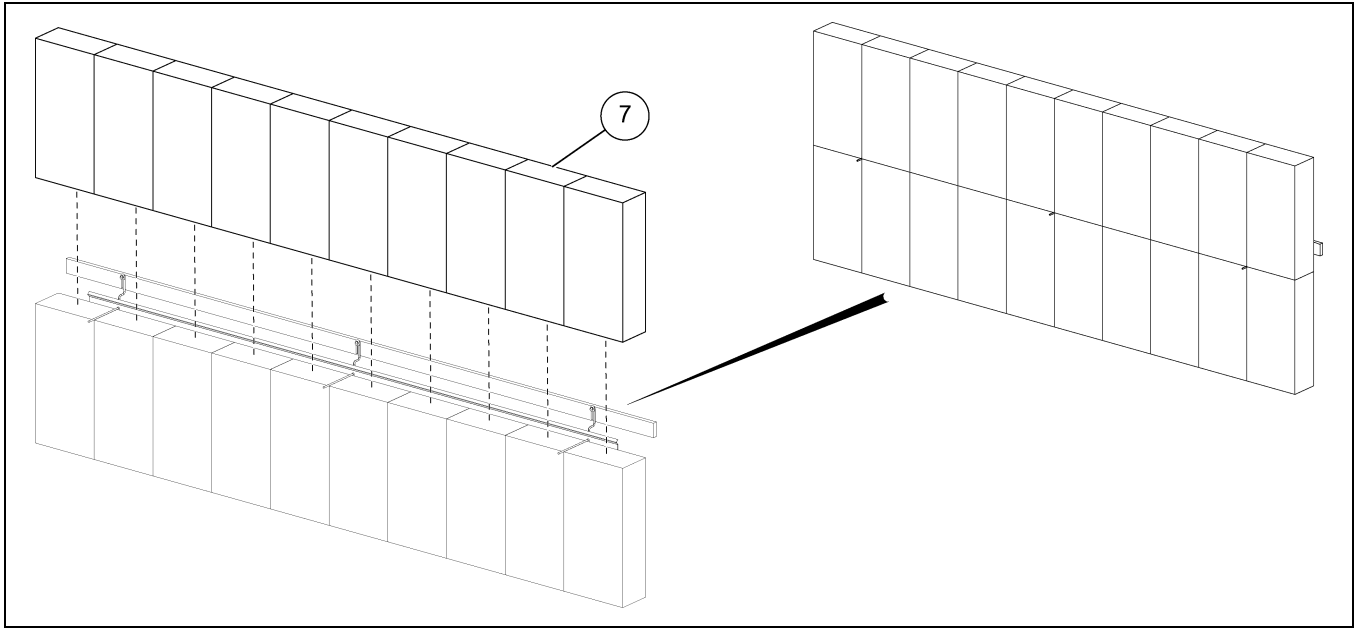


Figure 5

Ref #	Description
7	Evaporative Pads

6. Install the front pad retainer (2) over the anchor pad retainers (1).

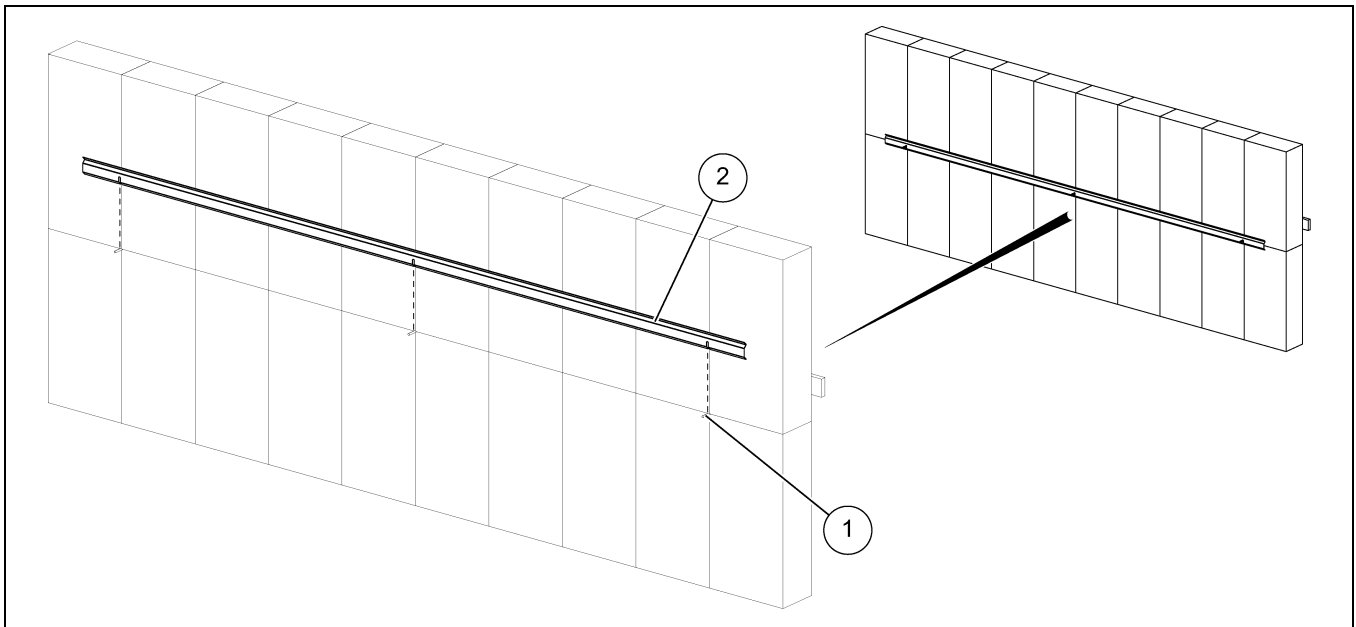


Figure 6

Ref #	Part #	Description
1	60-0641	Anchor, Pad Retainer
2	60-0649	9' Pad Retainer

Stacked Evaporative Center Pad Retainer Kit (60-0650)

7. Push the front pad retainer (2) into the pads and secure using 5/16" fender washer (3) and spring clamp (4).

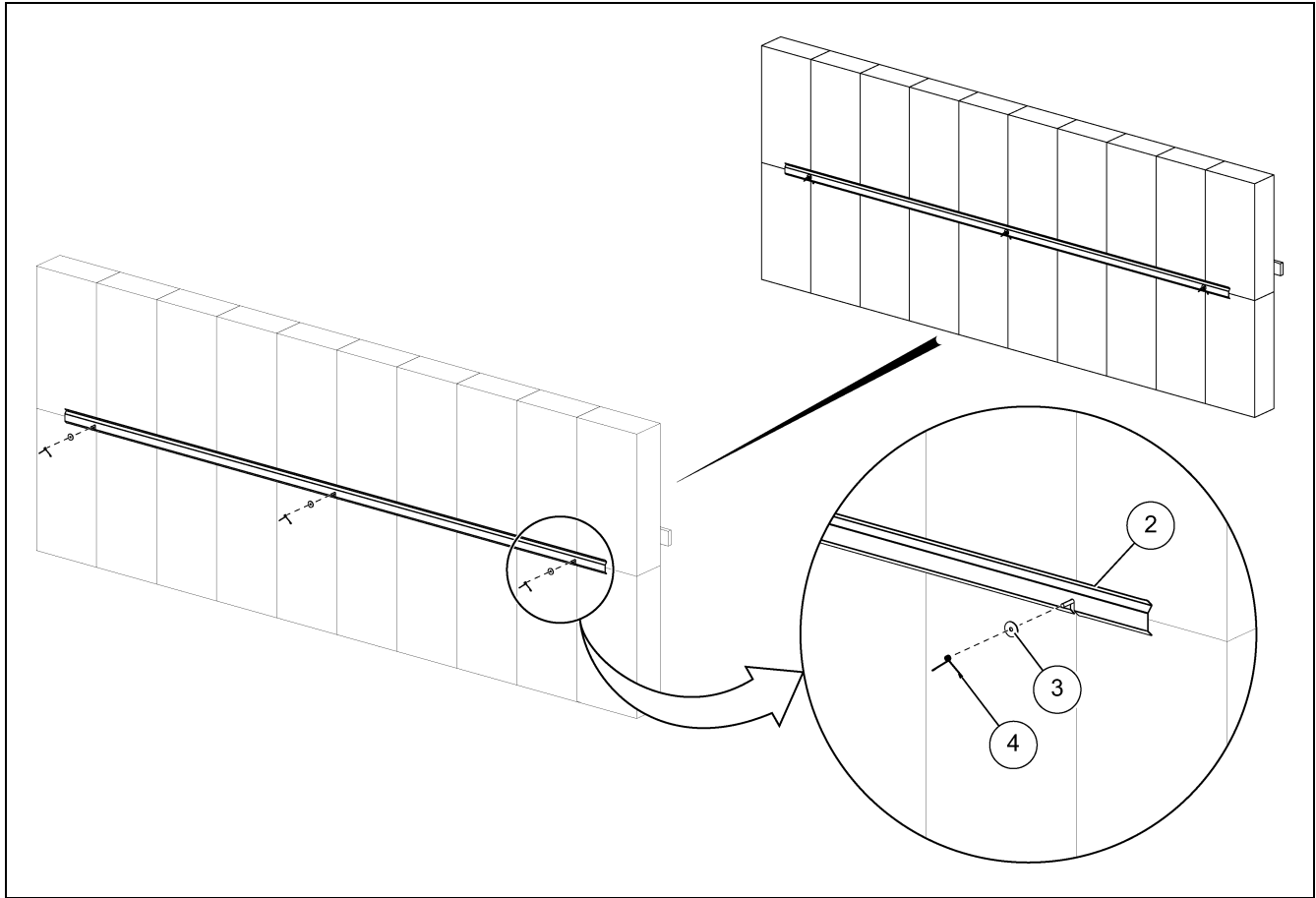


Figure 7

Ref #	Part #	Description
2	60-0649	9' Pad Retainer
3	S-8724	Washer, Fender 5/16" x 1-1/2" x 1/16" SS
4	30-0519	Spring, Clamp 0.235" I.D.

IMPORTANT: To ensure sufficient water coverage, pads should not be stacked higher than 8'.

Stacked Evaporative Center Pad Retainer Kit Parts (60-0650)

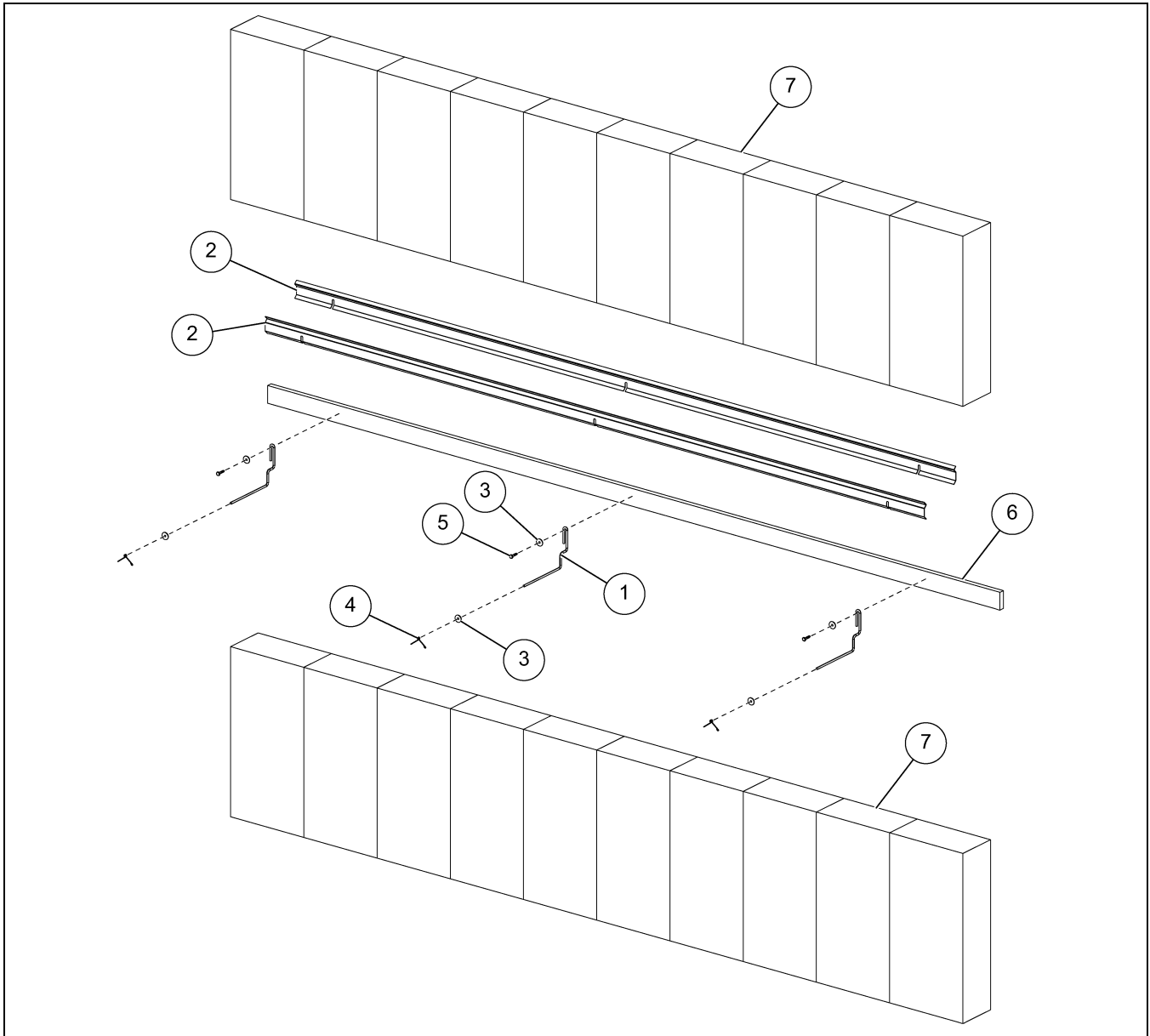


Figure 8 Stacked Evaporative Center Pad Retainer Kit Parts (60-0650)

Stacked Evaporative Center Pad Retainer Kit (60-0650) Parts List

Ref #	Part #	Description	Qty
1	60-0641	Anchor, Pad Retainer	3
2	60-0649	9' Pad Retainer	2
3	S-8724	Washer, Fender 5/16" x 1-1/2" x 1/16" SS	6
4	30-0519	Spring, Clamp 0.235" I.D.	3
5	S-10567	Bolt, Lag 1/4" x 1-1/2" SS	3
6		1 x 3 Board	1
7		Evaporative Pads	20