

AUTOMATEDPRODUCTION.COM

ACCU-DROP

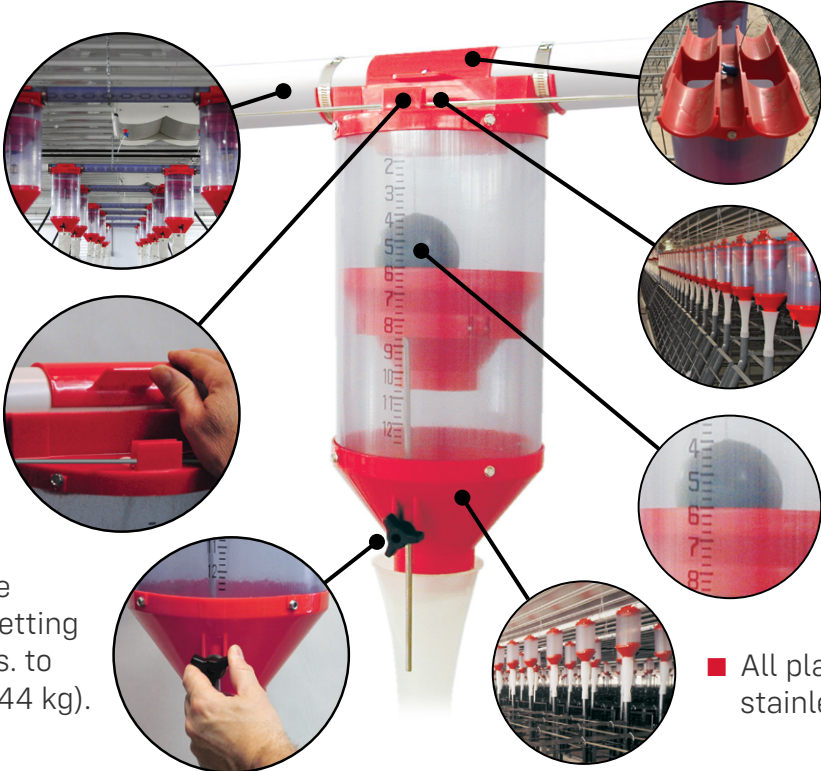
FEEDING SYSTEM



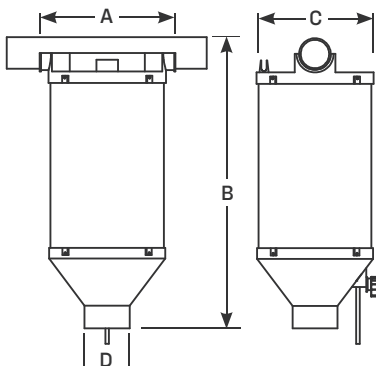
UNLOCK BETTER PERFORMANCE

ACCURATE FEEDING, **BALANCED DESIGN**

Designed for the precise feeding requirements of today's dive- production systems. The system can be manually operated or fully automated using an actuator system operated by a programmable timer.



- Compatible with ChainDisk, M220, M300 Flex-Flo™ feed delivery systems.
- Cut feed access with a simple rotating shut-off located at the top of the feeder.
- Secure and precise feed adjustment setting ranges from 1.5 lbs. to 12 lbs. (.68kg to 5.44 kg).
- Multi-ration capable
- Center mounted design ensures that the feeder hangs straight and maintains accuracy.
- Weighted ball valve securely closes the feeder and ensures feed flow when open.
- All plastic construction with stainless steel hardware.



ACCU-DROP

*Adjustment rod extends up to 9.5" beyond the bottom of the drop feeder at the maximum setting.

DIMENSIONS

- A - Front View Width - 9.5"
- B - Overall Height - 20.38"*
- C - Side View Width - 8.6"
- D - Outlet OD - 3.16"



Contact your AP representative or visit automatedproduction.com for more information.