

# **ULTRA-DROP**

FEEDING SYSTEM



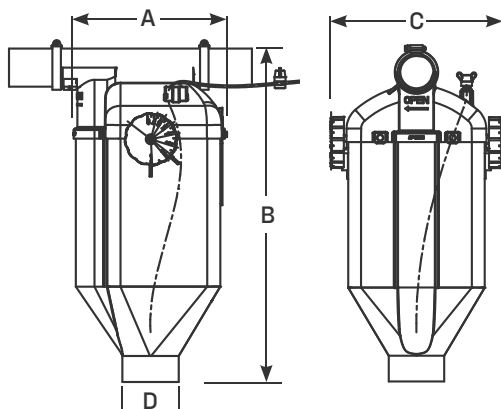
UNLOCK BETTER PERFORMANCE

# CONVENIENT ADJUSTMENT, **BALANCED DESIGN**

The Ultra-Drop is the ideal feeder for both gestating and lactating sows. This feeder features convenient one-handed adjustment and a center-mounted design to ensure the feeder hangs straight.



- Easy one-handed feed adjustment dial regulates feed flow from 1 lb. to 8 lbs. (.45kg to 3.63 kg).
- Manual or electric actuator system operation.
- Center mounted design ensures that the feeder hangs straight and maintains accuracy.
- Easily accessible slide shut-off cuts feed flow to the feeder.
- Weighted ball valve securely closes the feeder and ensures feed flow when open.
- Compatible with ChainDisk, M220 Flex-Flo™ feed delivery systems.
- All plastic construction with stainless steel hardware.



**ULTRA-DROP**

## **DIMENSIONS**

- A - Front View Width - 10.13"
- B - Overall Height - 19.23"
- C - Side View Width - 10.08"
- D - Outlet OD - 3.25"



Contact your AP representative or visit [automatedproduction.com](https://www.automatedproduction.com) for more information.