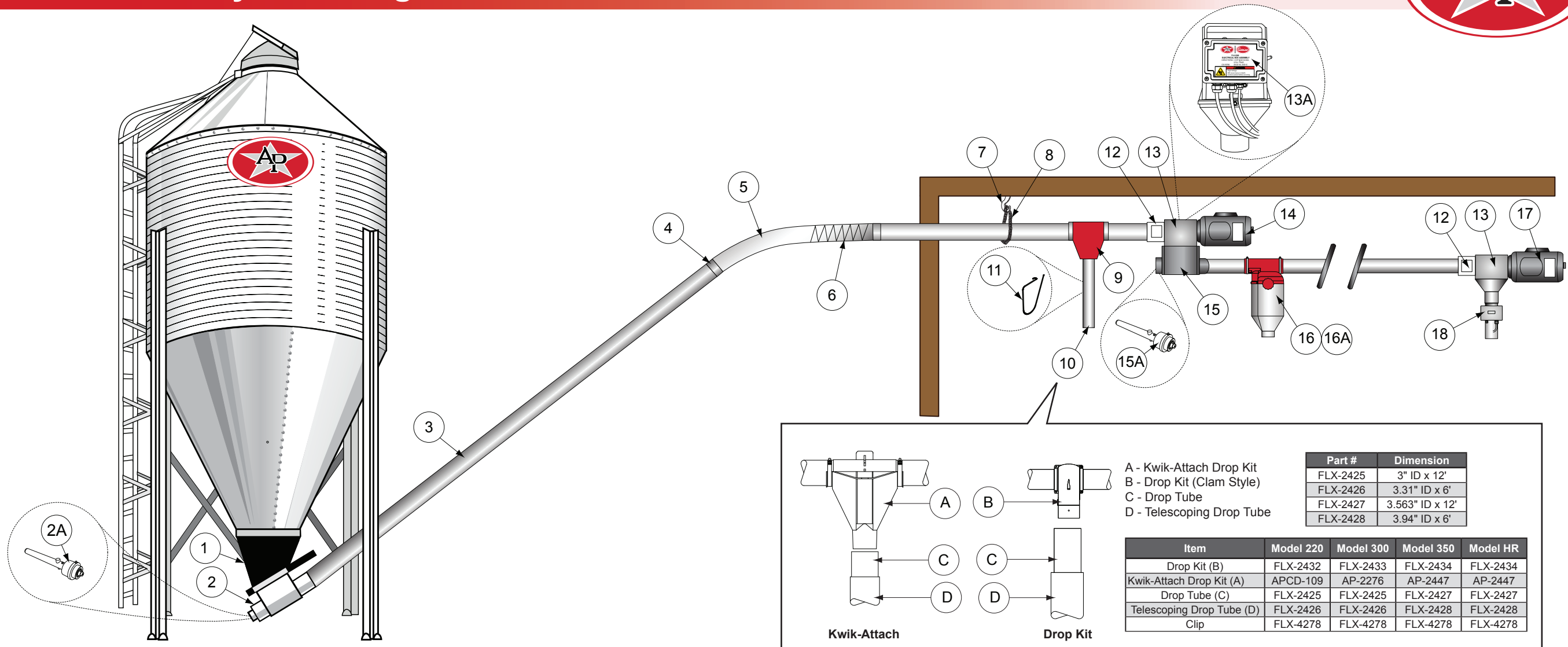


Flex-Flo Feed System Diagram



Kwik-Attach **Drop Kit**

A - Kwik-Attach Drop Kit
 B - Drop Kit (Clam Style)
 C - Drop Tube
 D - Telescoping Drop Tube

Part #	Dimension
FLX-2425	3" ID x 12'
FLX-2426	3.31" ID x 6'
FLX-2427	3.563" ID x 12'
FLX-2428	3.94" ID x 6'

Item	Model 220	Model 300	Model 350	Model HR
Drop Kit (B)	FLX-2432	FLX-2433	FLX-2434	FLX-2434
Kwik-Attach Drop Kit (A)	APCD-109	AP-2276	AP-2447	AP-2447
Drop Tube (C)	FLX-2425	FLX-2425	FLX-2427	FLX-2427
Telescoping Drop Tube (D)	FLX-2426	FLX-2426	FLX-2428	FLX-2428
Clip	FLX-4278	FLX-4278	FLX-4278	FLX-4278

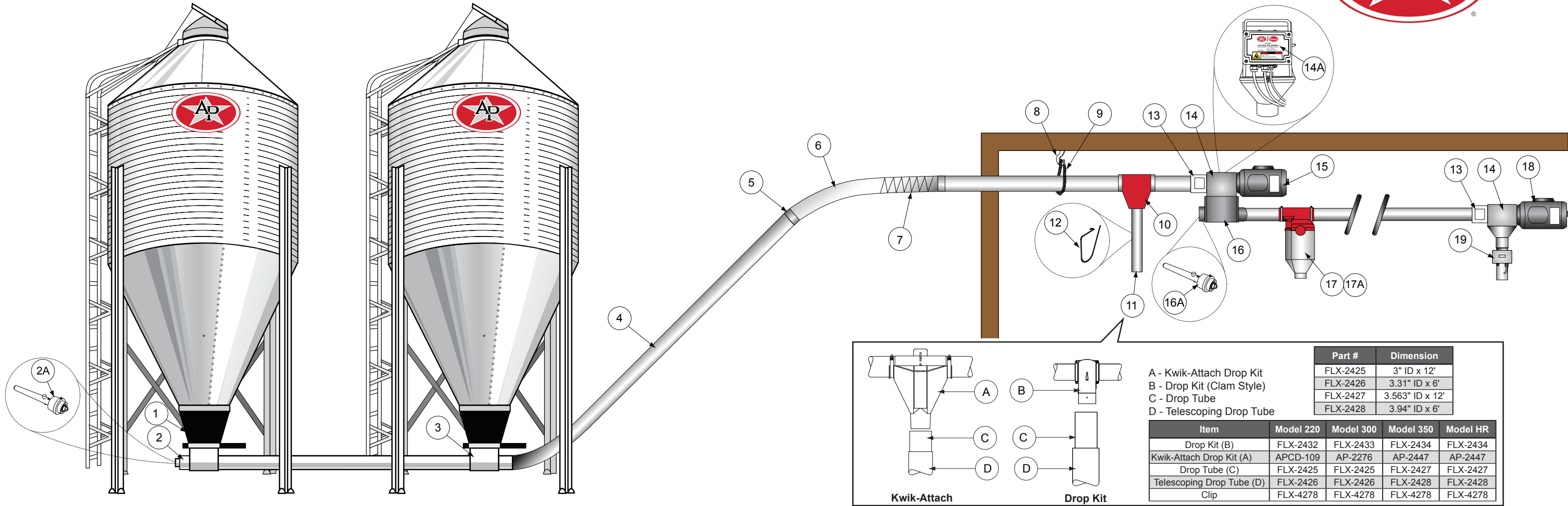
Ref #	Part #	Description
1	FLX-2194	30° Plastic Boot
	FLX-2194-C	30° Plastic Boot (Clear)
2	FLX-4682	S.O. Unloader Model 220
	FLX-4684	S.O. Unloader Model 300
	FLX-5212	S.O. Unloader Model 300P
	FLX-4686	S.O. Unloader Model 350
	FLX-4687	S.O. Unloader Model HR
	FLX-4694	T.O. Unloader Model 220
	FLX-4696	T.O. Unloader Model 300
	FLX-5214	T.O. Unloader Model 300P
	FLX-4698	T.O. Unloader Model 350
	FLX-4699	T.O. Unloader Model HR
	FLX-4694DT	T.O. Unloader w/Double Transfer Plate Model 220
	FLX-4696DT	T.O. Unloader w/Double Transfer Plate Model 300
	FLX-5214DT	T.O. Unloader w/Double Transfer Plate Model 300P
	FLX-4698DT	T.O. Unloader w/Double Transfer Plate Model 350
	FLX-4699DT	T.O. Unloader w/Double Transfer Plate Model HR
2A	FLX-4646	Anchor & Bearing Assembly Model 220
	FLX-4648	Anchor & Bearing Assembly Model 300
	FLX-5211	Anchor & Bearing Assembly Model 300P
	FLX-4650	Anchor & Bearing Assembly Model 350
	FLX-4648HR	Anchor & Bearing Assembly Model HR
3	PVC-1004	Straight PVC Tube Model 220
	PVC-1005	Straight PVC Tube Model 300 and 300P

Ref #	Part #	Description
	PVC-1006	Straight PVC Tube Model 350 and HR
4	FLX-2537	PVC Couplers Model 220
	FLX-2538	PVC Couplers Model 300 and 300P
	FLX-5282	PVC Couplers Model 350 and HR
5	PVC-1000	(10° rad) PVC Elbow Model 220
	PVC-1101	(5° rad) PVC Elbow Model 220
	PVC-1001	PVC Elbow Model 300 and 300P
	PVC-1002	PVC Elbow Model 350 and HR
6	FLXA1520	FlexFlo Auger Model 220
	FLXA2206	FlexFlo Auger Model 300P
	FLXA2390	FlexFlo Auger Model 300
	FLXA2710	FlexFlo Auger Model 350
	FLXA2390	FlexFlo Auger Model HR
7	S-7313-B	Bolt Eye 1/4 x 3-1/2
	S-10237-B	Screw, Eye 1/4 x 3-1/2 SS
8	S-8589	#2 Weldless Chain, 400' Roll
	S-8589-SS	#2 Weldless Chain, 400' Roll, SS
9	FLX-2432	Drop Kit Model 220
	APCD-109	Kwik-Attach Drop Kit Model 220
	FLX-2433	Drop Kit Model 300 and 300P
	AP-2276	Kwik-Attach Drop Kit Model 300 and 300P
	FLX-2434	Drop Kit Model 350 and HR
	AP-2447	Kwik-Attach Drop Kit Model 350 and HR
10		(Drop Tube - See Diagram Above)

Ref #	Part #	Description
11	FLX-4278	Drop Tube Spring Clip Model 220, 300, 300P, 350 and HR
12	FLX-5275	DD Driver & Anchor Model 220
	FLX-5279	DD Driver & Anchor Model 300
	FLX-5282	DD Driver & Anchor Model 300P
	FLX-5286	DD Driver & Anchor Model 350
	FLX-5288	DD Driver & Anchor Model HR
13	FLX-5295	Control Unit, 220 Volt, w/Sensor Model 220, 300, 300P, 350 and HR
	FLX-5298	Control Unit, 230 Volt Model 220, 300, 300P, 350 and HR
	FLX-5301	SmartFlex Control Unit, 220 Volt Model 220, 300, 300P, 350 and HR
13A	FLX-5307	220 V Electric Box Complete Model 220, 300, 300P, 350 and HR
14	FLX-2672	DDPU, 1/3HP, 250RPM Model 220, 300, 300P, 350 and HR
	FLX-2673	DDPU, 1/2HP, 250RPM Model 220, 300, 300P, 350 and HR
	FLX-2674	DDPU, 3/4HP, 250RPM Model 220, 300, 300P, 350 and HR
	FLX-3629	DDPU, 1HP, 250RPM Model 220, 300, 300P, 350 and HR
	FLX-3637	DDPU, 1-1/2HP, 250RPM Model 220, 300, 300P, 350 and HR
15	FLX-4682A	S.O. Extension Unloader Model 220
	FLX-4684A	S.O. Extension Unloader Model 300
	FLX-5212A	S.O. Extension Unloader Model 300P
	FLX-4686A	S.O. Extension Unloader Model 350
	FLX-4687A	S.O. Extension Unloader Model HR
15A	FLX-4646	Extension Anchor & Bearing Assembly Model 220
	FLX-5045	Extension Anchor & Bearing Assembly Model 300
	FLX-5211	Extension Anchor & Bearing Assembly Model 300P
	FLX-4650	Extension Anchor & Bearing Assembly Model 350

Ref #	Part #	Description
	FLX-4648HR	Extension Anchor & Bearing Assembly Model HR
16	AP-2384	Econo-Drop Feeder Model 220
	AP-2385	Econo Drop Feeder Complete Model 236
	AP-2386	Econo-Drop Feeder Model 300 and 300P
	AP-2387	Econo-Drop Feeder Model 350 and HR
	AP-1259	Accu-Drop Feed Dispenser 1-12 Lbs. Model 220
	AP-1260	Accu-Drop Feed Dispenser 1-12 Lbs. Model 236
	AP-1261	Accu-Drop Feed Dispenser 1-12 Lbs. Model 300
	AP-3800	Ultra Drop Feeder Model 220/236
16A	AP-2419	Econo-Drop Control Unit, 110v Model 220, 300, 300P, 350 and HR
	AP-2418	Econo-Drop Control Unit, 220v Model 220, 300, 300P, 350 and HR
	AP-1263	Accu-Drop Control Unit, 110v Model 220, 300, 300P, 350 and HR
	AP-1262	Accu-Drop Control Unit, 220v Model 220, 300, 300P, 350 and HR
17	FLX-2458	DDPU, 1/3HP, 358RPM Model 220, 300, 300P, 350 and HR
	FLX-2459	DDPU, 1/2HP, 358RPM Model 220, 300, 300P, 350 and HR
	FLX-2460	DDPU, 3/4HP, 358RPM Model 220, 300, 300P, 350 and HR
	FLX-2461	DDPU, 1HP, 358RPM Model 220, 300, 300P, 350 and HR
	FLX-2462	DDPU, 1-1/2HP, 358RPM Model 220, 300, 300P, 350 and HR
18	AP-0990	Drop Tube Switch Model 220, 300, 300P, 350 and HR
	FLX-4951	Smart IR Model 220, 300, 300P, 350 and HR

Flex-Flo Feed System Diagram



Part #	Dimension
FLX-2425	3" ID x 12'
FLX-2426	3.31" ID x 6'
FLX-2427	3.563" ID x 12'
FLX-2428	3.94" ID x 6'

Item	Model 220	Model 300	Model 350	Model HR
Drop Kit (B)	FLX-2432	FLX-2433	FLX-2434	FLX-2434
Kwik-Attach Drop Kit (A)	APCD-109	AP-2276	AP-2447	AP-2447
Drop Tube (C)	FLX-2425	FLX-2425	FLX-2427	FLX-2427
Telescoping Drop Tube (D)	FLX-2426	FLX-2426	FLX-2428	FLX-2428
Clip	FLX-4278	FLX-4278	FLX-4278	FLX-4278

Ref #	Part #	Description
1	FLX-2195	Straight Plastic Boot
	FLX-2195-C	Straight Plastic Boot (Clear)
	FLX-4869	Double Straight Plastic Boot
2	FLX-4682	S.O. Unloader Model 220
	FLX-4684	S.O. Unloader Model 300
	FLX-5212	S.O. Unloader Model 300P
	FLX-4686	S.O. Unloader Model 350
	FLX-4687	S.O. Unloader Model HR
	FLX-4694	T.O. Unloader Model 220
	FLX-4696	T.O. Unloader Model 300
	FLX-5214	T.O. Unloader Model 300P
	FLX-4698	T.O. Unloader Model 350
	FLX-4699	T.O. Unloader Model HR
	FLX-4694DT	T.O. Unloader w/Double Transfer Plate Model 220
	FLX-4696DT	T.O. Unloader w/Double Transfer Plate Model 300
	FLX-5214DT	T.O. Unloader w/Double Transfer Plate Model 300P
	FLX-4698DT	T.O. Unloader w/Double Transfer Plate Model 350
	FLX-4699DT	T.O. Unloader w/Double Transfer Plate Model HR
2A	FLX-4646	Anchor & Bearing Assembly Model 220
	FLX-4648	Anchor & Bearing Assembly Model 300
	FLX-5211	Anchor & Bearing Assembly Model 300P
	FLX-4650	Anchor & Bearing Assembly Model 350
	FLX-4648HR	Anchor & Bearing Assembly Model HR
3	FLX-4408	S.T. Unloader Model 220
	FLX-2243	S.T. Unloader Model 300
	FLX-5213	S.T. Unloader Model 300P
	FLX-2178	S.T. Unloader Model 350
	FLX-4773	S.T. Unloader Model HR

Ref #	Part #	Description
	FLX-3937	T.T. Unloader Model 220
	FLX-2586	T.T. Unloader Model 300
	FLX-5215	T.T. Unloader Model 300P
	FLX-2181	T.T. Unloader Model 350
	FLX-4772	T.T. Unloader Model HR
	FLX-3937DT	T.T. Unloader w/Double Transfer Plate Model 220
	FLX-2586DT	T.T. Unloader w/Double Transfer Plate Model 300
	FLX-5215DT	T.T. Unloader w/Double Transfer Plate Model 300P
	FLX-2181DT	T.T. Unloader w/Double Transfer Plate Model 350
	FLX-4772DT	T.T. Unloader w/Double Transfer Plate Model HR
4	PVC-1004	Straight PVC Tube Model 220
	PVC-1005	Straight PVC Tube Model 300 and 300P
	PVC-1006	Straight PVC Tube Model 350 and HR
5	FLX-2537	PVC Couplers Model 220
	FLX-2538	PVC Couplers Model 300 and 300P
	FLX-2539	PVC Couplers Model 350 and HR
6	PVC-1000	(10" rad) PVC Elbow Model 220
	PVC-1101	(5" rad) PVC Elbow Model 220
	PVC-1001	PVC Elbow Model 300 and 300P
	PVC-1002	PVC Elbow Model 350 and HR
7	FLXA1520	FlexFlo Auger Model 220
	FLXA2390	FlexFlo Auger Model 300
	FLXA2206	FlexFlo Auger Model 300P
	FLXA2710	FlexFlo Auger Model 350
	FLXA2390	FlexFlo Auger Model HR
8	S-7313-B	Bolt Eye 1/4 x 3-1/2
	S-10237-B	Screw, Eye 1/4 x 3-1/2 SS
9	S-8589	#2 Weldless Chain, 400' Roll

Ref #	Part #	Description
	S-8589-SS	#2 Weldless Chain, 400' Roll, SS
10	FLX-2432	Drop Kit Model 220
	APCD-109	Kwik-Attach Drop Kit Model 220
	FLX-2433	Drop Kit Model 300 and 300P
	AP-2276	Kwik-Attach Drop Kit Model 300 and 300P
	FLX-2434	Drop Kit Model 350 and HR
	AP-2447	Kwik-Attach Drop Kit Model 350 and HR
11		(Drop Tube - See Diagram Above)
12	FLX-4278	Drop Tube Spring Clip Model 220, 300, 300P, 350 and HR
13	FLX-5275	DD Driver & Anchor Model 220
	FLX-5279	DD Driver & Anchor Model 300
	FLX-5282	DD Driver & Anchor Model 300P
	FLX-5286	DD Driver & Anchor Model 350
	FLX-5288	DD Driver & Anchor Model HR
14	FLX-5295	Control Unit, 220 Volt, w/Sensor Model 220, 300, 300P, 350 and HR
	FLX-5298	Control Unit, 230 Volt Model 220, 300, 300P, 350 and HR
	FLX-5301	SmartFlex Control Unit, 220 Volt Model 220, 300, 300P, 350 and HR
14A	FLX-5307	220 V Electric Box Complete Model 220, 300, 300P, 350 and HR
15	FLX-2672	DDPU, 1/3HP, 250RPM Model 220, 300, 300P, 350 and HR
	FLX-2673	DDPU, 1/2HP, 250RPM Model 220, 300, 300P, 350 and HR
	FLX-2674	DDPU, 3/4HP, 250RPM Model 220, 300, 300P, 350 and HR
	FLX-3629	DDPU, 1HP, 250RPM Model 220, 300, 300P, 350 and HR
	FLX-3637	DDPU, 1-1/2HP, 250RPM Model 220, 300, 300P, 350 and HR
16	FLX-4682A	S.O. Extension Unloader Model 220
	FLX-4684A	S.O. Extension Unloader Model 300
	FLX-5212A	S.O. Extension Unloader Model 300P
	FLX-4686A	S.O. Extension Unloader Model 350
	FLX-4687A	S.O. Extension Unloader Model HR

Ref #	Part #	Description
16A	FLX-4646	Extension Anchor & Bearing Assembly Model 220
	FLX-5045	Extension Anchor & Bearing Assembly Model 300
	FLX-5211	Extension Anchor & Bearing Assembly Model 300P
	FLX-4650	Extension Anchor & Bearing Assembly Model 350
	FLX-4648HR	Extension Anchor & Bearing Assembly Model HR
17	AP-2384	Econo-Drop Feeder Model 220
	AP-2385	Econo Drop Feeder Complete Model 236
	AP-2386	Econo-Drop Feeder Model 300 and 300P
	AP-2387	Econo-Drop Feeder Model 350 and HR
	AP-1259	Accu-Drop Feed Dispenser 1-12 Lbs. Model 220
	AP-1260	Accu-Drop Feed Dispenser 1-12 Lbs. Model 236
	AP-1261	Accu-Drop Feed Dispenser 1-12 Lbs. Model 300
	AP-3800	Ultra Drop Feeder Model 220/236
17A	AP-2419	Econo-Drop Control Unit, 110v Model 220, 300, 300P, 350 and HR
	AP-2418	Econo-Drop Control Unit, 220v Model 220, 300, 300P, 350 and HR
	AP-1263	Accu-Drop Control Unit, 110v Model 220, 300, 300P, 350 and HR
	AP-1262	Accu-Drop Control Unit, 220v Model 220, 300, 300P, 350 and HR
18	FLX-2458	DDPU, 1/3HP, 358RPM Model 220, 300, 300P, 350 and HR
	FLX-2459	DDPU, 1/2HP, 358RPM Model 220, 300, 300P, 350 and HR
	FLX-2460	DDPU, 3/4HP, 358RPM Model 220, 300, 300P, 350 and HR
	FLX-2461	DDPU, 1HP, 358RPM Model 220, 300, 300P, 350 and HR
	FLX-2462	DDPU, 1-1/2HP, 358RPM Model 220, 300, 300P, 350 and HR
19	AP-0990	Drop Tube Switch Model 220, 300, 300P, 350 and HR
	FLX-4951	Smart IR Model 220, 300, 300P, 350 and HR